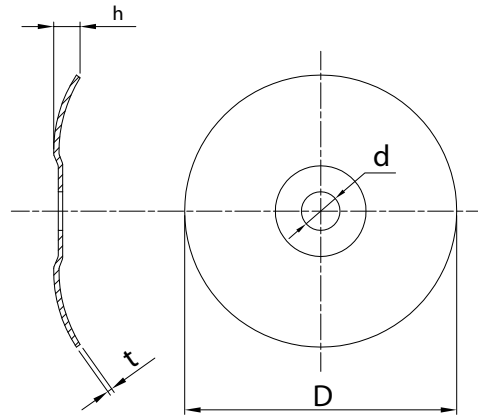




Dimensions



type	d [mm]	D [mm]	h [mm]	t [mm]
WKT	8,6	75	5	0,7
WKT-60	8,6	60	5	0,8

Description

The WKR washer is used for stiffening large rectangular ducts to eliminate their vibrations and deformations. It is made of 0,8 - 1,0mm thick galvanised steel sheet with a shallow or deep nut rib.

Example identification

Product code: **WKT-85**

type _____

Installation diagram

