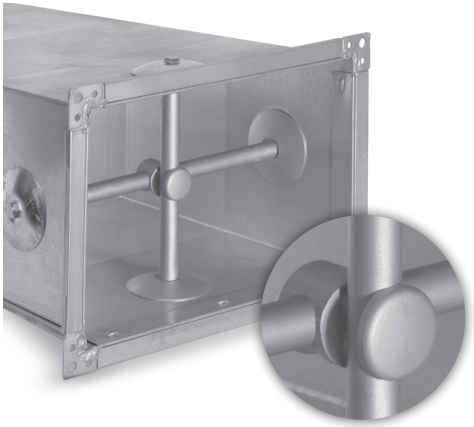


Cross-connector for reinforcing rod WKK-PCV, WKK-OCY



WKK-PCV

WKK-OCY



Description

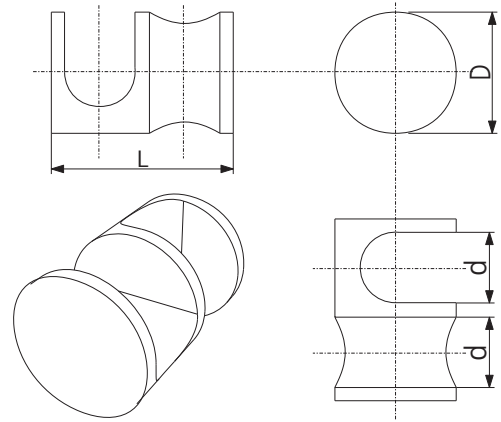
WKK cross-connectors for reinforcing rod provide a cross-shaped bracing inside large ducts and fittings to prevent the collapse of walls. A cross-connector ties two steel or aluminium tubes sized $\frac{3}{8}$ " or $\frac{1}{2}$ " in diameter. WKK-OCY galvanized steel cross-connectors can also be installed in smoke venting systems and inside high-temperature ductwork. WKK-PCV cross-connectors are an excellent choice for ductwork made of stainless steel sheets or aluminium sheets.

Product code example

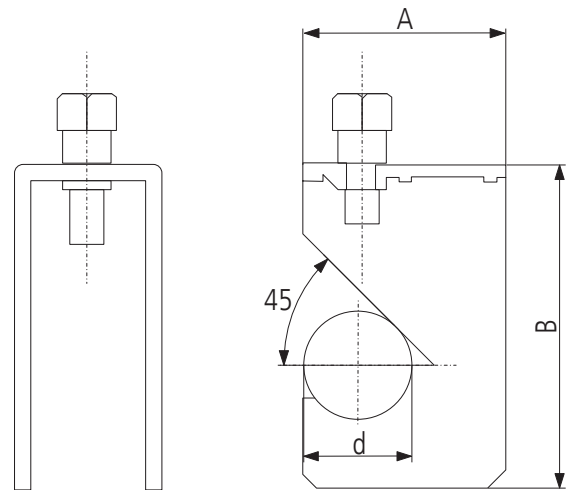
Product code: **WKK-OCY-3-8**

type _____

Dimensions



Product code	L (mm)	D (mm)	d (in)	d (mm)	material
WKK-PCV-3-8	45	30	$\frac{3}{8}$	16	PVC



Product code	Thickness (mm)	d (in)	d (mm)	A (mm)	B (mm)
WKK-PCV-3-8	3	$\frac{3}{8}$	16	35	64
WKK-OCY-1-2	3	$\frac{1}{2}$	21	40	70

Installation diagram

