

Decorative wall/floor air intake/exhaust grille

ULMA



Description

ULMA decorative air grilles can be used as an air intake or exhaust vents and have been specifically designed for use in single-family houses. They are made from cast aluminium with an ornamental bezel and spoke finish. The sturdy casting form can withstand typical loads when installed as a floor vent. The inward sleeve of the grille fits spiral coiled ducts and other types of round ventilation ducts. The sleeve features a wire mesh which is easily removable for cleaning.

Available materials — Product code examples

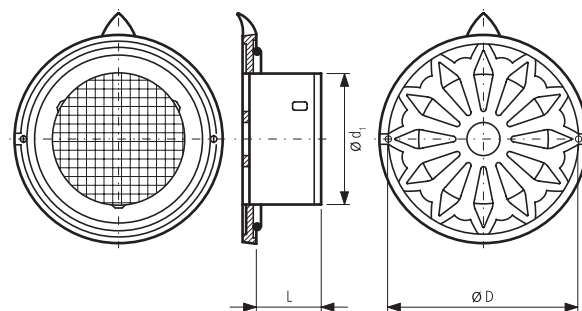
ULMA -....- aluminium sheet

Product code example

Product code: **ULMA - aaa**

type _____
 Ød _____

Dimensions



Product code	Ød, (mm)	ØD (mm)	L (mm)	Air flow rate (cm ²)
ULMA-100	100	140	52	45
ULMA-125	125	178	52	67
ULMA-150	150	178	62	115