

Filter elements

UFI-W



Description

UFI-W is a class EU4/G4/ISO COARSE 60% filter element designed for filtering air flowing through round ducts. It is protected with a 1 mm wire mesh of galvanized steel on both sides. The mesh size is 1x1 mm on one side and 10x10 mm on the other. The filter element casing is a 20 mm tall round duct piece. The UFI-W filter elements are replaceable components of UFI duct filters.

Available materials — Product code examples

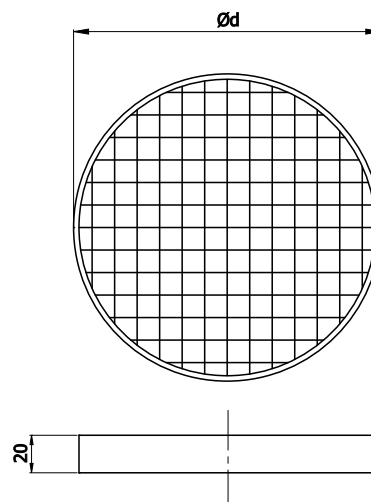
UFI-W-... - galvanized steel sheet
 UFI-W-K-... - 1.4301 / 304 stainless steel sheet

Product code example

Product code: **UFI-W - 160**

type _____
 Ød _____

Dimensions



Type	Ød [mm]
UFI-W-100	100
UFI-W-125	125
UFI-W-160	160
UFI-W-200	200
UFI-W-250	250
UFI-W-315	315
UFI-W-355	355
UFI-W-400	400