

Duct filters

UFI



Description

UFI duct filters are designed for filtering air flowing through round ducts. The filter is provided with a class EU4 filter element secured with a galvanized steel wire mesh on both sides. The housing is made of a round, galvanized sheet duct piece with the connection ends sealed with gaskets. The dedicated design of the UFI duct filters allows easy replacement of the filter element. The UFI duct filters are designed for installation between the mating ends of two round ducts in the standard diameter range (100-400 mm).

Available materials — Product code examples

UFI-.. - galvanized steel sheet

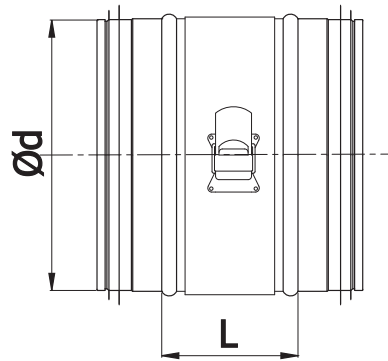
UFI-K-... - 1.4301 / 304 stainless steel sheet

Product code example

Product code: **UFI - 160**

type _____
 Ød _____

Dimensions



Type	Ød [mm]	L [mm]
100	100	70
125	125	70
160	160	70
200	200	70
250	250	70
315	315	70
355	355	70
400	400	70

Duct filters

UFI

Technical specifications

Pressure loss chart

