

TRANS-Quick System

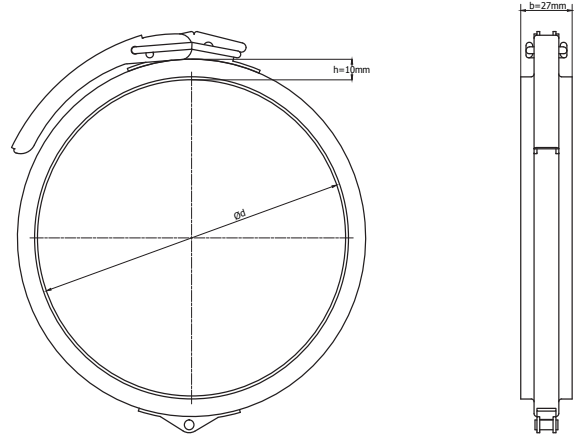
The manufacturer reserves the right to amend product dimensions and technical data due to their constant improvement.

Connecting clamp for FLKA flange ventilation system

FLKA



Dimensions

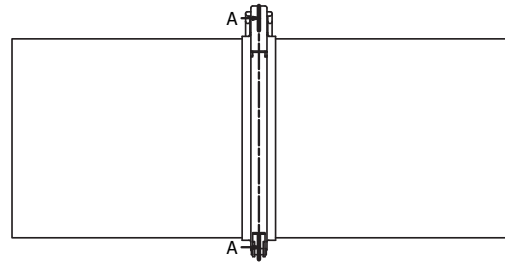


Description

The FLKA clamp is the most important component of TRANS Quick System ventilation installations.

It is used to connect two components - round ventilation ducts or fittings. The duct or fitting has a lip at height about 6 – 10 mm, at 90 degrees angle to the outside of the piece end. These pieces are fastened with flanges and are kept in place by a tightening band, which quickly and effectively seals it centripetally.

The major advantage of such a system is its quick assembly and disassembly, without having to displace the installation – 1-3 pieces can be removed without disturbing the other ones. Moreover, there are no internal inserts which might block the air flow if covered with sawdust or other impurities.



Marking example

Product code: **FLKA - aaa**
 type _____
 diameter _____

Product code	Diameter
FLKA-100	100
FLKA-125	125
FLKA-160	160
FLKA-200	200
FLKA-250	250
FLKA-315	315

SRGLQT / BSTQ

[Download Wen-](#)
[Download AlnorCAM](#)
[Order at B2B](#)

SRGLQT



Linear-welded pipe for transporting air and dust - Trans Quick is made of galvanized sheets, thickness 0,5 or 0,6 or 0,7 mm – any section length up to the maximum of 1000 mm

Product code: SRGLQT-100-0100-050
Code _____
Diameter [mm] _____
Length L [mm] _____
Sheet thickness [mm] _____

BSQT



Segmented ventilation elbow Trans Quick, made of galvanized sheet, thickness 0,5 or 0,6 or 0,7 mm - available standard angles are 90, 60, 45, 30, 15 degrees – it is possible to provide other angles on request. Manufactured in diameters 200, 250, 315 mm

Product code: BSQT-315-90
Code _____
Diameter [mm] _____
Angle [°] _____

RSCLQT



Reducer - diffuser / confuser reduces the diameter of the ventilation duct to increase or decrease the pressure in the ventilation system. The Trans Quick component is made of galvanized sheet, thickness 0,5 or 0,6 or 0,7 mm, diameters 100, 125, 160, 200, 250, 315 mm

Product code: RSCLQT-315-250
Code _____
Diameter 1 [mm] _____
Diameter 2 [mm] _____

TRANS Quick System Ducts and Fittings

SRGLQT / BSTQ

[Download Wentyle](#)
[Download AlnorCAM](#)
[Order at B2B](#)

TPCQT



Ventilation tee in TRANS Quick for butt connection with other pieces for carrying off contaminated air, sawdust, or for traditional air distribution. The tee features equal flow rate with the possibility for stub connection at a 90 degrees angle and equal or lower diameter.

Product code: TPCQT-160-125
 Code _____
 Diameter 1 and 2 [mm] _____
 Diameter 3 [mm] _____

TSVQT



Angular tee for TRANS Quick ventilation systems is made of galvanized sheets with thickness 0,5 or 0,6 or 0,7 mm. It is intended for butt connection with other components, eliminating minor protrusions in installation walls in which impurities in dust extraction systems might be deposited. As a standard, the tee offers a stub connection at 45 degree angle – on request, we are able to provide any angle between 15 and 75 degrees.

Product code: TSVQT-160-125
 Code _____
 Diameter 1 and 2 [mm] _____
 Diameter 3 [mm] _____

GKQT



Sliding dampers for TRANS Quick system feature a vertical shutoff for closing the damper. An advantage of this solution is the lack of any construction pieces that would obstruct the air flow when the damper is fully open. It is possible to use the damper with a pneumatic actuator as GKQTM.

Product code: GKQT-160
 Code _____
 Diameter 1 [mm] _____

SRGLQT / BSTQ

[Download Wen-](#)
[Download AlnorCAM](#)
[Order at B2B](#)

ILSQT



The TRANS Quick system connector pipe is used to join Trans installations to square ventilation ducts. The standard ILS product (or ILSL with gasket) can be used as a connector between round SPIRO systems to TRANS Quick system.

Product code: ILSQT-160
Code _____
Diameter 1 [mm] _____