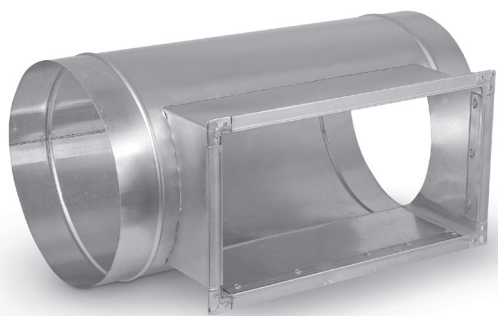


## Round duct T-connectors

# TR6



### Description

The T-connectors allow building a T-connection between a round and a square duct. One end features a flange frame of sheet angles or a hemmed flange. The round duct ends are provided with hemming for sheet screws in the standard version.

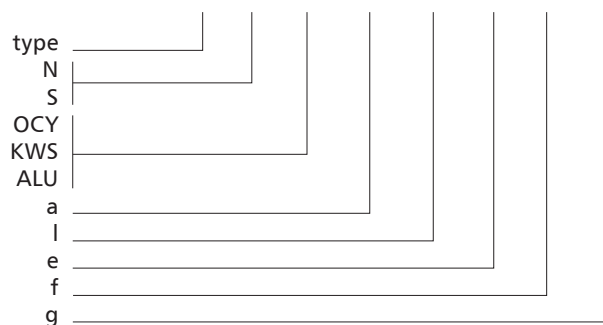
T-connectors can be fabricated as a fully round T-pieces on request.

#### Available materials — Product code examples

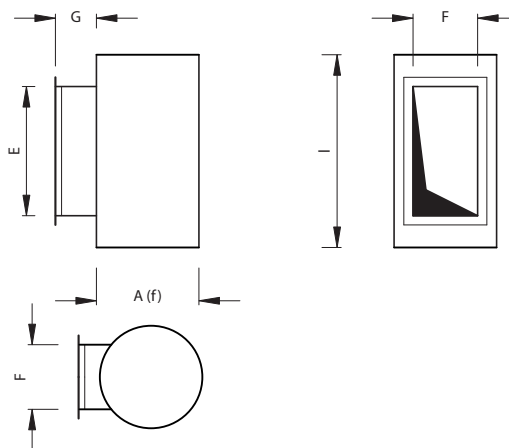
- TR6-...-...-... — galvanized steel sheet
- TR6-...-K-...-... — 1.4301/304 stainless steel sheet
- TR6-...-K-...-...-316L — 1.4404/316L stainless steel sheet
- TR6-...-A-...-... — AW-1050A H24 aluminium sheet

#### Product code example

Product code: **TR6 - N - OCY - 630 - 500 - 250x400 - 60**



### Dimensions



- N — low-pressure version
- S — medium-pressure version
- OCY — galvanized steel
- KWS — stainless steel
- ALU — aluminium
- a — duct diameter
- l — round duct length
- e — take-off length
- f — take-off width
- g — take-off height

The standard versions are made in default dimension sizes which do not have to be specified.