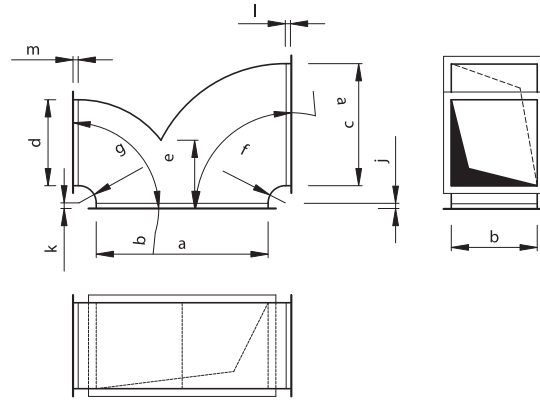


Wye tee TR3



Dimensions



Description

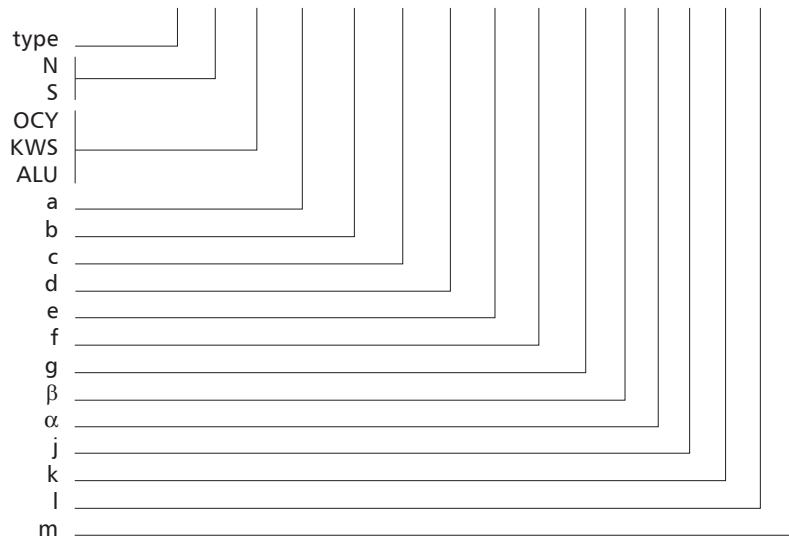
The wye tees are fitted with sheet angles, and the entire fitting is braced by cross-wise ribbing. This fitting allows building the ductwork with two take-offs set at any angle. The width may vary between the two take-off ports. Vanes can be installed.

Available materials — Product code examples

- TR3-...-...-... — galvanized steel sheet
- TR3-...-K-...-... — 1.4301/304 stainless steel sheet
- TR3-...-K-...-...-316L — 1.4404/316L stainless steel sheet
- TR3-...-A-...-...-... — AW-1050A H24 aluminium sheet

Product code example

Product code: TR3-N-OCY-500x300-300-200-100-120-120-90-90-30-30-30-30



- N — low-pressure version
- S — medium-pressure version
- OCY — galvanized steel
- KWS — stainless steel
- ALU — aluminium
- a — width
- b — height
- c — take-off 1 height
- d — take-off 2 height
- e — base length
- f — radius (default f = 120 mm)
- g — radius (default g = 120 mm)
- β — angle (default $\beta = 90^\circ$)
- α — angle (default $\alpha = 90^\circ$)
- j — extension (default j = 30 mm)
- k — extension (default k = 30 mm)
- l — extension (default l = 30 mm)
- m — extension (default m = 30 mm)