

T-pieces and X-pieces with gaskets

TPCL/XPCL



Description

Ventilation T-pieces and X-pieces are available in several types and forms, depending on the size, diameter and standard or custom dimensioning. T-pieces and X-pieces are straight pieces of ductwork, provided with 90-degree branches, equal to or smaller than the main duct size. The pieces feature a neat finish with seam welds that require no additional sealing to maintain air tightness class D according to EN 12237 for an added value.

- TPCL – full-bore T-piece with an EPDM gasket
- XPCL – full-bore four-way piece with an EPDM gasket

The table contains numbers for the versions described below:

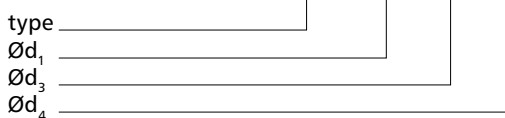
1. T-piece fabricated with an SPL collar saddle, fastened to the duct with rivets and caulked at the joints.
2. T-piece fabricated with an SPP full-size collar saddle, fastened to the bottom part with seam welds, requires no additional sealing.
3. T-piece fabricated with the SPSL short segmented collar saddle, designed for non-standard duct sizes and branches sized above 400 mm.

Available materials - Product code example

- TPCL-... -... -... - galvanized steel sheet
- TPCL-K-... -... -... - 1.4301/304 stainless steel sheet
- TPCL-K-... -... -...-316L - 1.4404/316L stainless steel sheet, molybdenum-enriched
- TPCL-A-... -... -... - AW-1050A H24 aluminium sheet
- TPCL-CU-... -... -... - M1E z4 copper sheet

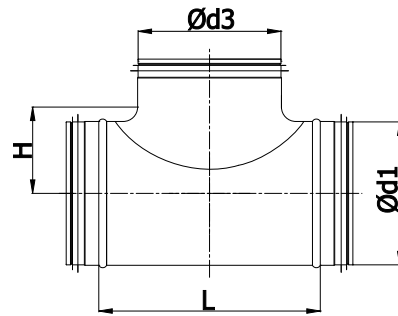
Product code example

Product code: **XPCL - aaa -bbb - ccc**

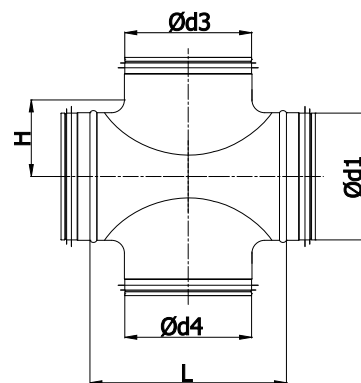


Dimensions

TPCL



XPCL



Versions

Version 1



Version 2



Version 3



T-pieces and X-pieces with gaskets

TPCL/XPCL

Dimensions

Ød ₁ [mm]	Ød ₃ /Ød ₄ [mm]	L [mm]	H [mm]	Weight [kg]	
				TPCL	XPCL
80	80 ¹	126	52	0.3	0.4
100	80 ²	106	65	0.33	0.45
	100 ²	126	65	0.45	0.56
125	80 ²	106	75	0.4	0.5
	100 ²	126	78	0.5	0.73
	125 ²	155	83	0.63	0.86
140	80 ¹	140	82	0.43	0.53
	100 ¹	174	85	0.6	0.76
	125 ¹	200	90	0.7	1.0
150	80 ¹	122	87	0.45	0.56
	100 ¹	174	90	0.64	0.78
	125 ²	155	95	0.74	1.0
	140 ³	200	95	0.75	1.04
	150 ¹	204	95	0.75	1.05
160	80 ¹	129	92	0.5	0.62
	100 ²	126	95	0.63	0.84
	125 ²	155	100	0.75	1.07
	140 ³	200	100	0.75	1.1
	150 ³	260	100	0.77	1.12
	160 ¹	229	105	0.85	1.2
180	80 ¹	140	102	0.66	0.7
	100 ¹	175	105	0.78	0.9
	125 ¹	179	110	0.85	1.12
	140 ³	200	110	0.9	1.17
	150 ³	210	110	0.98	1.2
	160 ¹	202	115	1.0	1.3
	180	245	95	1,30	1,50
200	80 ¹	182	112	0.73	0.75
	100 ²	126	115	0.85	0.95
	125 ²	155	115	0.93	1.2
	140 ³	200	120	0.94	1.27
	150 ²	184	120	0.96	1.3
	160 ²	194	125	1.05	1.48
	180 ³	240	125	1.2	1.7
	200 ¹	292	125	1.28	1.73

Ød ₁ [mm]	Ød ₃ /Ød ₄ [mm]	L [mm]	H [mm]	Weight [kg]	
				TPCL	XPCL
224	80 ¹	140	124	0.75	0.85
	100 ¹	175	127	0.88	1.03
	125 ¹	193	132	1.06	1.30
	140 ³	200	132	1.16	1.37
	150 ³	210	132	1.16	1.40
	160 ¹	216	137	1.25	1.50
	180 ³	240	137	1.40	1.90
	200 ¹	292	137	1.53	1.95
	224 ³	290	137	1.65	2.10
250	80 ¹	109	137	0.93	1.00
	100 ²	126	140	1.07	1.20
	125 ²	155	145	1.20	1.30
	140 ³	200	145	1.38	1.55
	150 ²	184	145	1.38	1.60
	160 ²	194	150	1.46	1.75
	180 ³	230	150	1.70	2.00
	200 ²	242	150	1.72	2.10
	224 ³	284	150	1.95	2.30
	250 ¹	368	150	2.00	2.60
280	80 ³	140	152	1.05	1.20
	100 ³	160	155	1.15	1.40
	125 ¹	193	160	1.32	1.43
	140 ³	200	160	1.50	1.72
	150 ³	210	160	1.52	1.78
	160 ¹	220	165	1.60	1.85
	180 ³	240	165	1.80	2.25
	200 ¹	286	165	1.86	2.30
	224 ³	290	165	2.05	2.40
300	80 ³	140	162	1.20	1.35
	100 ³	160	165	1.25	1.42
	125 ¹	193	170	1.40	1.52
	140 ³	200	170	1.60	1.80
	150 ³	210	170	1.60	1.82
	160 ³	220	175	1.62	2.00
	180 ³	240	175	1.96	2.35
	200 ¹	286	175	1.98	2.40
	224 ³	290	175	2.05	2.52
	250 ¹	338	175	2.20	2.63

T-pieces and X-pieces with gaskets

TPCL/XPCL

Dimensions

Ød ₁ [mm]	Ød ₃ /Ød ₄ [mm]	L [mm]	H [mm]	Weight [kg]	
				TPCL	XPCL
315	80 ³	140	170	1.25	1.40
	100 ³	160	173	1.30	1.45
	125 ¹	193	178	1.46	1.60
	140 ³	200	178	1.65	1.86
	150 ³	210	178	1.68	1.90
	160 ¹	258	182	1.70	2.00
	180 ³	230	182	2.05	2.40
	200 ¹	286	182	2.08	2.45
	224 ³	290	182	2.20	2.80
	250 ¹	338	182	2.30	2.90
355	315 ¹	428	182	2.80	3.70
	100 ³	160	193	1.70	1.85
	125 ³	185	198	1.90	2.00
	160 ³	220	203	2.15	2.30
	200 ¹	286	203	2.55	2.80
	224 ³	290	203	2.82	3.15
	250 ¹	312	203	2.90	3.20
	315 ³	385	203	3.40	4.30
	355	420	183	2,65	-
	400	100 ³	200	215	2.15
125 ³		225	220	2.40	2.50
160 ³		260	225	2.70	2.90
200 ¹		300	225	3.00	3.30
224 ³		330	225	3.40	3.70
250 ¹		360	225	3.50	3.80
315 ³		425	225	3.95	4.50
400 ³		520	225	5.00	6.00
450	125 ³	185	245	3.30	3.40
	160 ³	220	250	3.70	3.80
	200 ³	270	250	4.10	4.30
	250 ³	320	250	4.50	4.90
	315 ³	371	250	6.10	5.40
	400 ³	500	250	6.20	6.90
	450	530	265	4,29	-
500	125 ³	185	270	3.80	3.70
	160 ³	220	275	4.10	4.20
	200 ³	270	275	4.50	4.70
	250 ³	320	275	5.00	5.40
	315 ³	385	275	5.60	6.00
400 ³	500	275	6.90	7.70	

Ød ₁ [mm]	Ød ₃ /Ød ₄ [mm]	L [mm]	H [mm]	Weight [kg]	
				TPCL	XPCL
560	200 ³	256	305	5.6	5.8
	250 ³	320	305	5.1	6.4
	315 ³	385	305	6.9	7.3
	400 ³	486	305	8.6	9.4
600	200 ³	260	325	6.0	6.3
	250 ³	320	325	6.3	6.5
	315 ³	371	325	7.5	7.8
	400 ³	486	325	9.2	9.9
630	200 ³	270	340	6.3	6.1
	250 ³	320	340	6.7	6.8
	315 ³	385	340	8.0	8.3
	400 ³	500	340	9.5	10.4
710	160 ³	230	415	5.5	6.0
	200 ³	270	415	6.0	6.3
	250 ³	320	415	6.6	6.7
	315 ³	385	435	7.5	8.0
	400 ³	470	435	8.5	9.6
800	450 ³	520	475	9.4	10.9
	160 ³	230	460	6.2	6.8
	200 ³	270	460	6.8	7.5
	250 ³	320	460	7.4	8.0
	315 ³	385	480	8.4	9.3
	400 ³	470	480	9.5	10.5
	450 ³	520	520	10.5	11.6
	500 ³	570	520	11.2	12.0
	560 ³	630	520	11.9	13.1