

# Insulated reducing T-pieces with blind end cap

## TPCL-CP/TPC-CP/TPCL-CP-I/TPC-CP-I

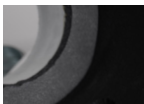


### Description

The T-piece can be installed in two different parts of a ventilation system. The T-piece can be fitted at the end of the ductwork, with the small port used as a cleanout. The T-piece can also be installed at corners of the ductwork, with the small port sealed with the end cap to work as an expansion (plenum) box. The blind end cap can always be removed to access the main duct.



The insulated T-pieces are clad in sound-proofing rubber.



The insulated T-pieces are clad in sound-proofing rubber.

- TPC-CP** - reducing T-piece without a gasket
- TPCL-CP** - reducing T-piece with an EPDM rubber gasket, air tightness class D
- TPC-CP-I** - insulated reducing T-piece without a gasket
- TPCL-CP-I** - reducing T-piece without a gasket with an EPDM rubber gasket, air tightness class D

The T-piece with  $d_1 \leq 315$  has the small port blinded with a CP end cap.

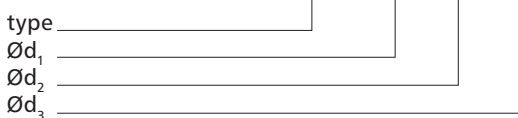
The T-piece with  $d_1 \geq 355$  has the small port blinded with a CPF end cap.

#### Available materials - Product code example

- TPCL-CP-... -... -... - galvanized steel sheet
- TPCL-CP-K-... -... -... - 1.4301/304 stainless steel sheet
- TPCL-CP-K-... -... -... -316L - 1.4404/316L stainless steel sheet, molybdenum-enriched

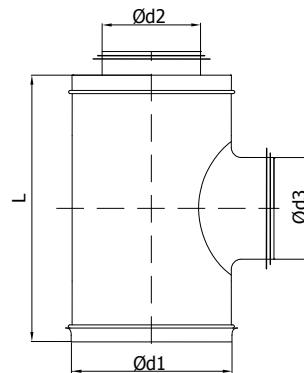
#### Product code example

Product code: **TPCL-CP - aaa - bbb - ccc**

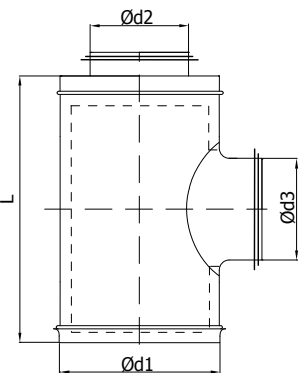


### Dimensions

TPCL-CP



TPCL-CP-I



Ød <sub>1</sub> [mm]	Ød <sub>2</sub> [mm]	Ød <sub>3</sub> [mm]	L [mm]	Weight TPCL-CP [kg]	Weight TPCL-CP-I [kg]
200	125	125	263	1,26	1,35
250	160	160	288	1,85	1,92
315	200	200	358	2,53	2,60
315	250	250	358	3,55	2,77
355	250	250	410	4,00	4,15
400	315	315	570	5,64	5,85
450	355	355	492	5,78	6,03
500	355	355	684	7,68	7,83
500	400	400	821	8,96	9,32
500	450	450	944	10,12	10,53
560	400	400	985	14,10	14,66
630	450	450	1133	18,01	18,80