

TKS-A



Description

TKS-A band clips are made from stainless steel sheet bands. TKS-A band clips are essential for joining flexible ventilation ducts and fittings, stub pipes, ports, etc. The hemmed band clip edges prevent damage to the ducts when installing or removing this product. They are tightened with a captive screw cleat for a fully airtight and strong connection. The screw thread pattern along the entire band helps tighten TKS-A clips around small-diameter objects.

Band width: 9 mm.

Packaging: 10 pcs / pack

Materials

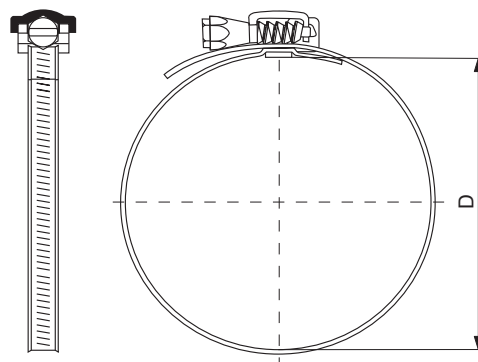
TKS-A - band - SUS430 stainless steel sheet
 cleat - SUS201 stainless steel sheet
 screw - SWCH1035 carbon steel

Product code example

Product code: **TKS-A-135**

type _____

Dimensions



Product code	Diameter range Ø [mm]
TKS-A-90	50-90
TKS-A-110	50-110
TKS-A-135	50-135
TKS-A-165	50-165
TKS-A-215	50-215
TKS-A-270	50-270
TKS-A-315	50-315
TKS-A-325	50-325
TKS-A-380	50-380
TKS-A-525	50-525
TKS-A-660	50-660