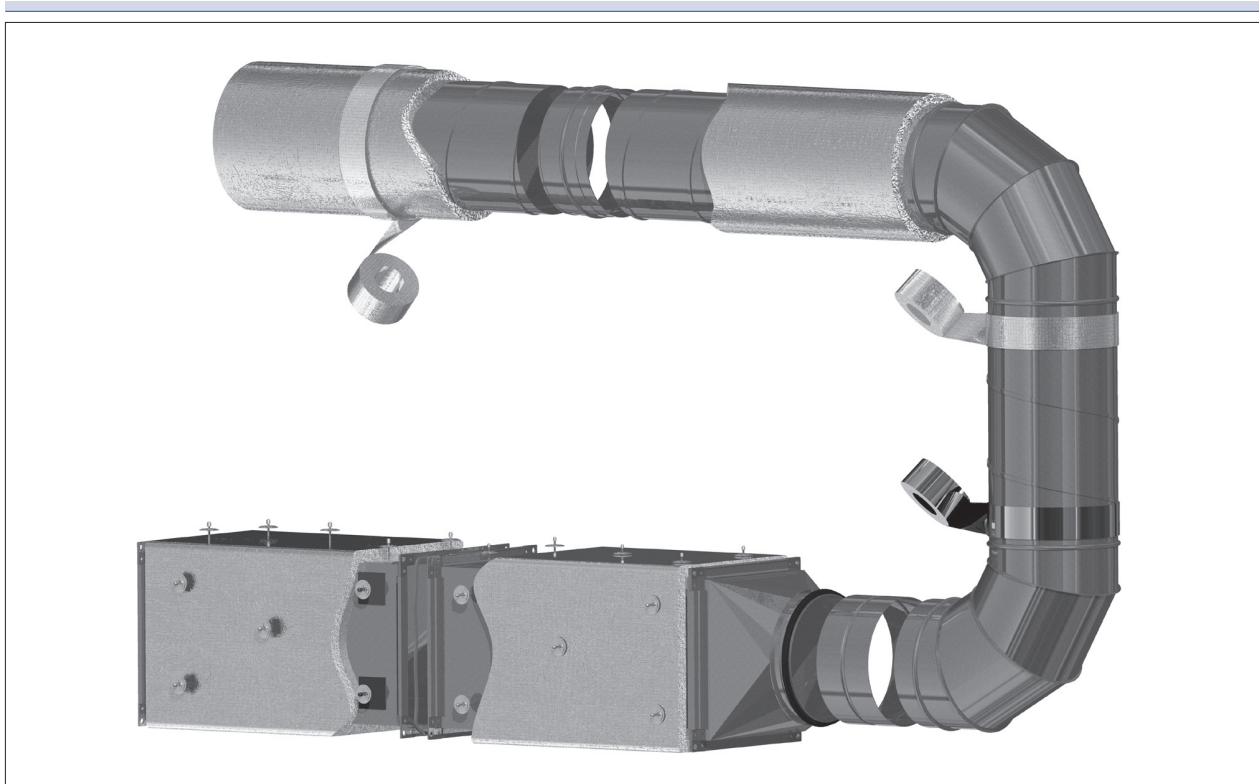


Sealing products

ALNOR reserves the right to modify technical specifications in line with the policy of continuous product improvement.

System description



System description

Sealing products are a must for every ventilation ductwork project. They are designed to improve the air tightness of ductwork joints up to the levels acceptable to designers and users according to the design requirements.

Dimensions

All sizes are shown in the tables and specifications in the individual Product Data Sheets.

Installation instructions

The aluminium sealing tapes are applied directly on a degreased metal sheet surface. The sealing effect is provided by wrapping the joint two or three times.

Application advantages

Sealing tapes and silicone sealants are applied as additional seals after building the ductwork. The ease of use and a wide selection of sealing products matching the characteristics of the ductwork helps achieve a neat final appearance. High-temperature sealing tapes guarantee proper air tightness of fireplace air heating ductwork.

Marking

ALNOR products carry the Polish conformity mark B for construction products and product codes as shown in the technical specifications listed in this catalogue.

