

H-frame roof support kit

ST-ROF-SET-H



Description

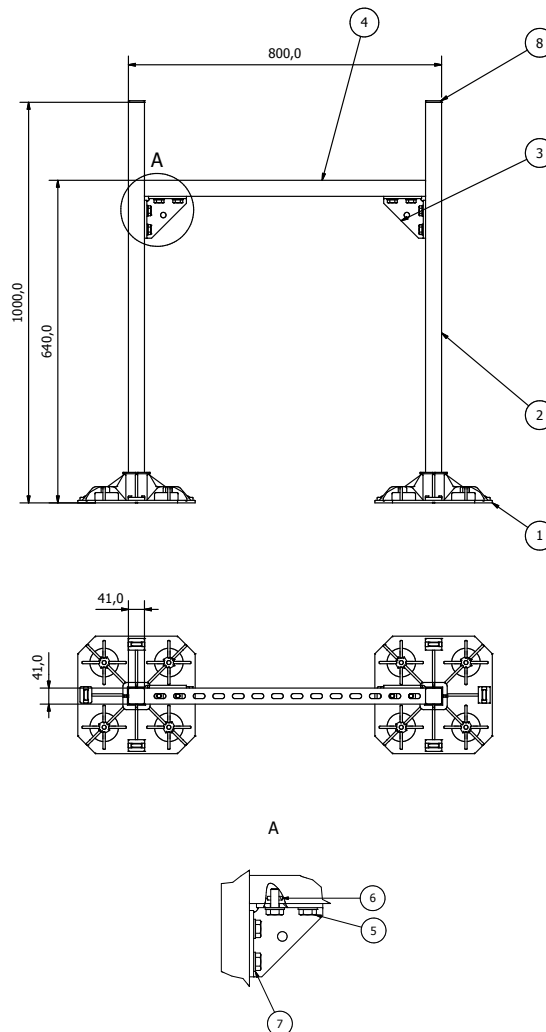
ST-ROF-SET-H roof support is a set of feet, consoles and frames for installation of ventilation ducts and all types of equipment on the roofs of buildings. This product is quick and easy to install. The maximum continuous load is 150 kg.

Product code examples

Product code: **ST-ROF-SET-H**

type _____

Dimensions



Components of the roof support:

Part no	Qty [pcs]	Code	Description
1	2	ST-ROF-330	Roof foot
2	2	LDBSG-41-41-200-0100	Channel strut
3	2	LDB-PBTR-41-5	Channel angle bracket
4	1	LDBSG-41-41-200-0071	Channel strut
5	8	SRS-M10-35	Screw
6	8	SNP-1008	Slide nut
7	8	PDS-P-10-100	Steel washer
8	2	Z-LDB-41-ST	Channel end cap

Optional accessories:

ST-ROF-AF - vibration-damping feet with adjustable pitch

ST-ROF-MAT - vibration-damping mat