

# ST-ROF-SET-4



## Description

ST-ROF-SET-4 roof support is a set of feet, consoles and frames for installation of ventilation ducts and all types of equipment on the roofs of buildings. The number of possible configurations is virtually limitless. This product is quick and easy to install. This roof support is designed for mounting refrigerating units and other A/C equipment.

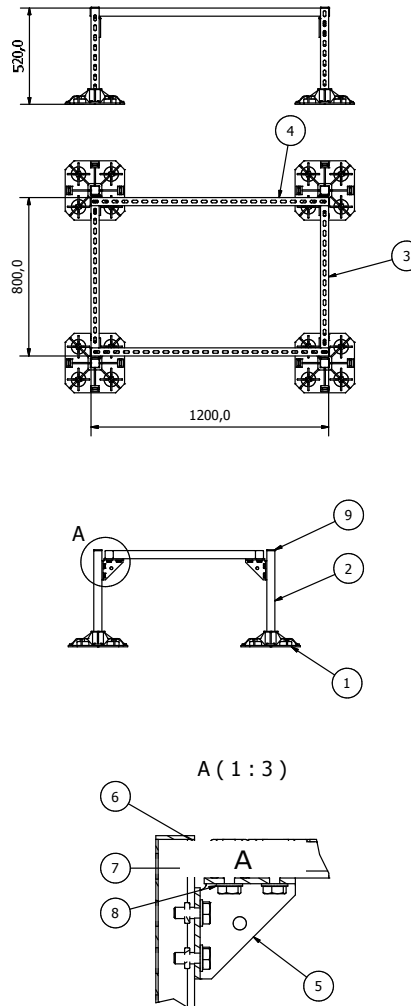
Estimated maximum continuous load is 480 kg.

### Product code examples

Product code: **ST-ROF-SET-4**

type \_\_\_\_\_

## Dimensions



### Components of the roof support:

Part no	Qty [pcs]	Code	Description
1	4	ST-ROF-330	Roof foot
2	2	LDBSG-41-41-200-0050	Channel strut
3	2	LDBSG-41-41-200-0071	Channel strut
4	2	LDBSG-41-41-200-0120	Channel strut
5	4	LDB-PBTR-41-5	Channel angle bracket
6	16	SRS-M10-35	Screw
7	16	SNL-1008	Slide nut
8	16	PDS-P-10-100	Steel washer
9	8	Z-LDB-41-ST	Channel end cap

### Optional accessories:

**ST-ROF-AF** - vibration-damping feet with adjustable pitch

**ST-ROF-MAT** - vibration-damping mat