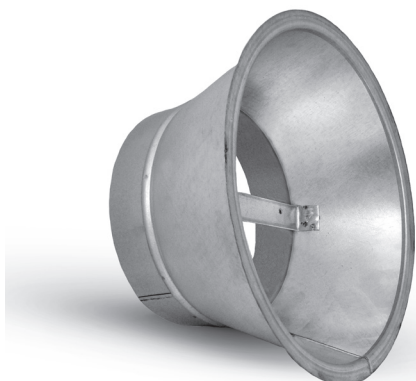


NCD diffuser mounting frame for connecting to ducts and fittings

RM-NCD



Description

The NCD round vane supply diffuser is made from galvanized steel sheet and fitted to the diffuser with two screws supplied with the product. The screws are driven in the frame mid brace; the flange is pressed down to the foam gasket to stabilize the joint between the parts. The product is used when a plenum box is not required.

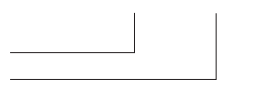
Available materials — Product code examples

RM-NCD-...-...- galvanized steel sheet
 RM-NCD-...-...-K - 1.4301/304 stainless steel sheet

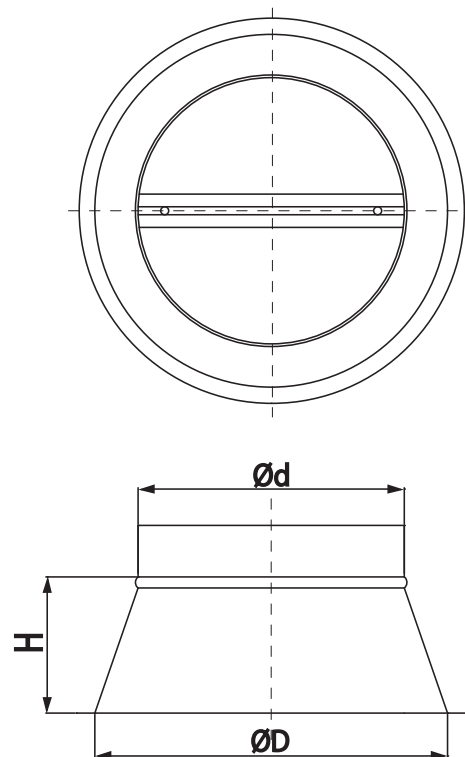
Product code example

Product code: **RM-CND - 150 - 125**

type
 diffuser type
 Ø of duct



Dimensions



Product code	Diffuser type	Ød of duct (mm)	ØD (mm)	H (mm)
RM-NCD-150-125	150	125	220	150
RM-NCD-150	150	150	220	100
RM-NCD-150-160	150	160	220	100
RM-NCD-200	200	200	270	100
RM-NCD-250-200	250	200	320	150
RM-NCD-250	250	250	320	100
RM-NCD-300-250	300	250	370	150
RM-NCD-300	300	300	370	100
RM-NCD-300-315	300	315	370	100
RM-NCD-350-315	350	315	420	150
RM-NCD-350-355	350	355	420	100