

Indoor thermostat for HDE-CO duct electric heaters

R31



Description

The R31 room thermostat maintains the preset indoor temperature by managing the heating and ventilation system performance.

The R31 room thermostat controls the output of the connected ducted electric heater according to the user's temperature settings and the indoor air temperature sensor output.

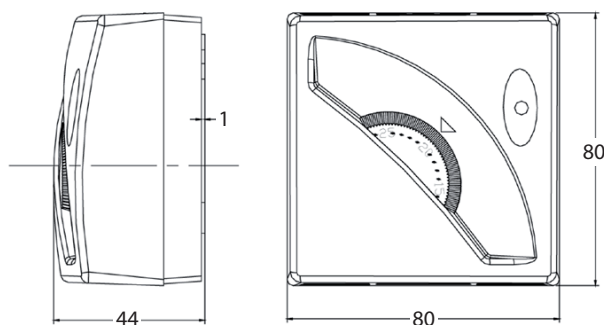
The R31 room thermostat is very easy to install. The device requires a serial connection between the wiring of the power supply and that of the HDE-CO ducted electric heater. The product is intended for wall mounting. The operating principle of the R31 room thermostat is based on a gas-filled membrane - the gas changes its volume with temperature. A change in the gas volume causes the membrane to move and switch the R31 room thermostat on and off, according to the range of movement.

Product code example

Product code: **R31**

type _____

Dimensions



Technical specifications

Power supply: 230V / 50-60 Hz

Protection rating: IP20

Max. operating temperature: +30°C

Storage temperature: +50°C

Max. ambient humidity: 90% RH

Temperature control range: +7 to +30°C

Max. current: 16 A

Connection diagram

Connection of the R31 room thermostat to an HDE-CO ducted electric heater

