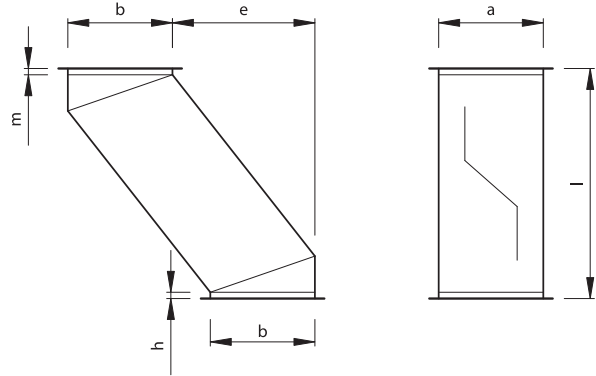


Offsets

QPR3



Dimensions



Description

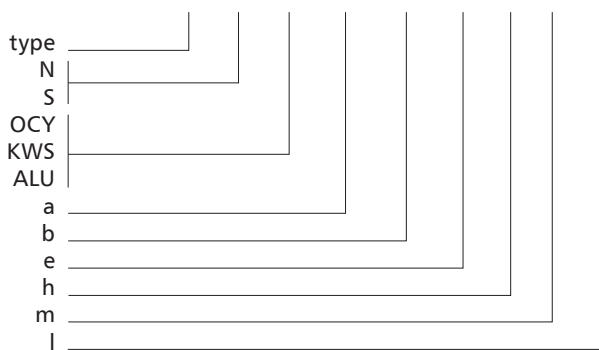
Offsets help bypassing obstacles along the ductwork route, e.g. at intersections of two ducts. The ends are fitted with sheet angles, and the entire fitting is braced by cross-wise ribbing. To achieve the required air flow rate, appropriate length sizes l and offset sizes e should be used.

Available materials — Product code examples

- QPR3 -...-...-... — galvanized steel sheet
- QPR3-...-K-...-...-... — 1.4301/304 stainless steel sheet
- QPR3-...-K-...-...-... - 316L — 1.4404/316L stainless steel sheet
- QPR3-...-A-...-...-... — AW-1050A H24 aluminium sheet

Product code example

Product code: QPR3 - N - OCY - 500 x 300 - 100 - 30 - 30 - 300



- N — low-pressure version
- S — medium-pressure version
- OCY — galvanized steel
- KWS — stainless steel
- ALU — aluminium
- a — width
- b — height
- e — offset
- h — extension (default $h = 30$ mm)
- m — extension (default $m = 30$ mm)
- l — length

The standard versions are made in default dimension sizes which do not have to be specified.