

Square aluminium ventilation damper mechanism

QDMPS-AL



Description

The QDMPS-AL damper mechanism is made completely in aluminum. Universal solution:

- for manual control
- or for the actuator (after unscrewing the handle, the mechanism forms a support for the actuator)

Available materials - Product code examples

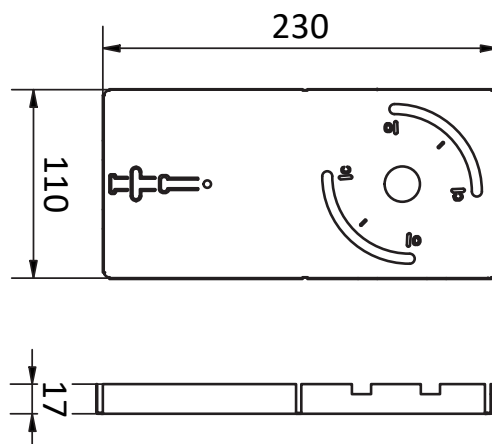
QDMPS-AL - aluminium

Product code example

Product code: **QDMPS-AL**

type _____

Dimensions



Installation Method

Example of the correct installation of the damper blade control mechanism.

