

Variable clearance bends

QBR



Description

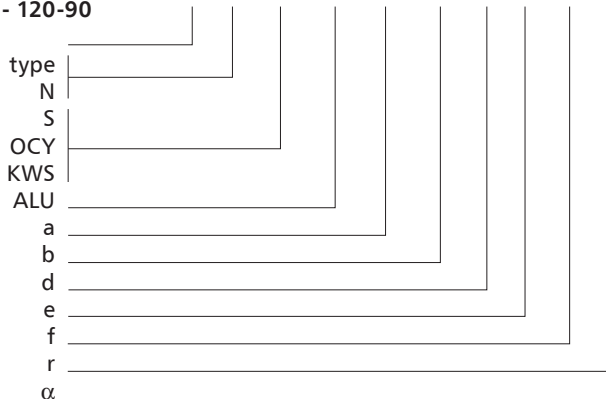
The standard 90° bends are fitted with sheet angles, have an inner and outer rounding, and the entire product is braced by cross-wise ribbing. The bends are recommended for high air velocity and/or higher pressure ventilation systems and greater sizes of side $b > 400$ mm. The standard radius is $r=120$ mm. The standard angle is $\alpha=90^\circ$. Typical applications of the elbows include rerouting the ductwork by 90 degrees with the inner clearance varying along the elbow path.

Available materials — Product code examples

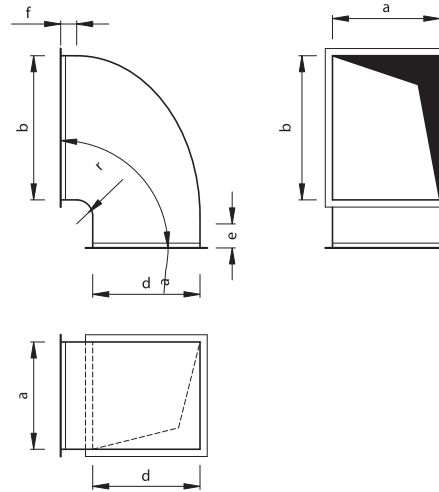
- QBR-...-...-... — galvanized steel sheet
- QBR-...-K-...-... — 1.4301/304 stainless steel sheet
- QBR-...-K-...-...-316L — 1.4404/316L stainless steel sheet
- QBR-...-A-...-... — AW-1050A H24 aluminium sheet

Product code example

Product code: **QBR - N - OCY - 500x300 - 400 - 30 - 30 - 120-90**



Dimensions



- N — low-pressure version
- S — medium-pressure version
- OCY — galvanized steel
- KWS — stainless steel
- ALU — aluminium
- a — width
- b — height
- d — outlet height
- e — extension (default $e = 30$ mm)
- f — extension (default $f = 30$ mm)
- r — radius (default $r = 120$ mm)
- α — angle (default $\alpha = 90^\circ$)

The standard versions are made in default dimension sizes which do not have to be specified.