

# Rectangular bends

## QB



### Description

The standard 90° bends are fitted with sheet angles, have an inner and outer rounding, and the entire product is braced by cross-wise ribbing.

The bends are recommended for high air velocity and/or higher pressure ventilation systems and greater sizes of side  $b > 400$  mm.

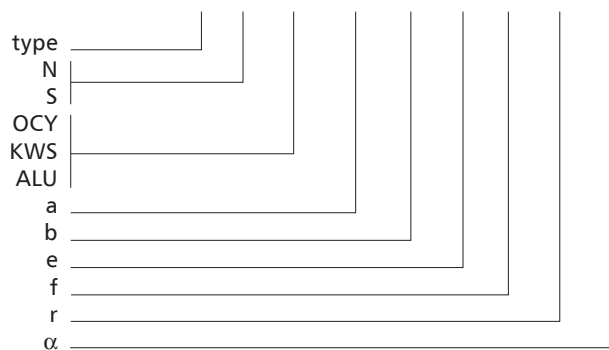
The standard radius is  $r = 120$  mm. The standard angle is  $\alpha = 90^\circ$ . Typical applications of the bends include rerouting the ductwork by 90° with the same clear cross-section.

#### Available materials — Product code examples

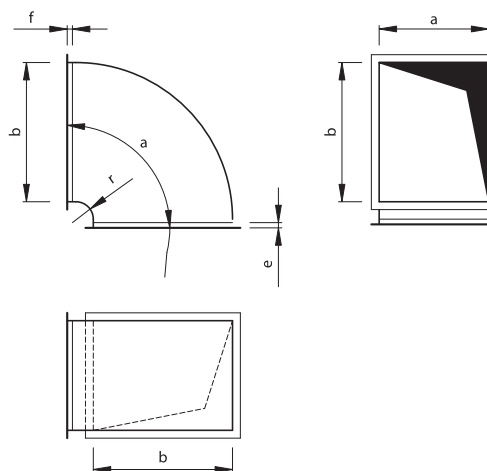
- QB-...-...-... — galvanized steel sheet
- QB-...-K-...-... — 1.4301/304 stainless steel sheet
- QB-...-K-...-...-316L — 1.4404/316L stainless steel sheet
- QB-...-A-...-... — AW-1050A H24 aluminium sheet

#### Product code example

Product code: **QB - N - OCY - 500x300 - 30 - 30 - 120 - 90**



### Dimensions



- N — low-pressure version
- S — medium-pressure version
- OCY — galvanized steel
- KWS — stainless steel
- ALU — aluminium
- a — width
- b — height
- e — extension (default  $e = 30$  mm)
- f — extension (default  $f = 30$  mm)
- r — radius (default  $r = 120$  mm)
- $\alpha$  — angle (default  $\alpha = 90^\circ$ )