

# Plastic roof exhaust vent

## PVC-WDF



### Description

Plastic flange socket, manufactured from prefabricates. It is used to connect flange components in round plastic ventilation ducts - e.g. in fans or other elements which are easy to disassemble. It is recommended to use the EPDM PVC-GASKET for flange connections.

#### Available materials - designation example

PVC-WDF-... - PVC polyvinyl chloride  
PPs-WDF-... - PPs flame resistant polypropylene

#### Available materials - upon special order

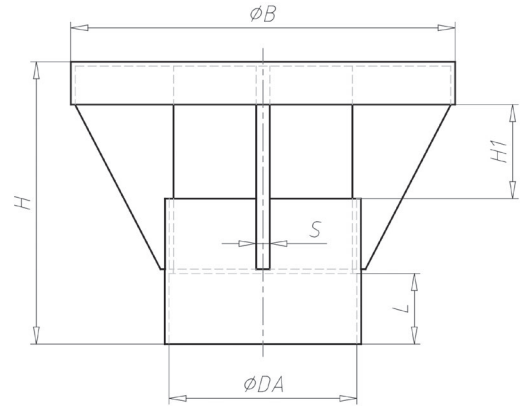
PVCW-WDF-... - white PVC polyvinyl chloride  
PP-WDF-... - PP polypropylene  
PEELs-WDF-... - PP-EL-s flame resistant electrically  
conductive polypropylene  
PE-WDF-... - PE polyethylene  
PVDF-WDF-... - PVDF plastic

#### Designation example:

Product Code: **PVC - WDF - aaa**

material \_\_\_\_\_  
type \_\_\_\_\_  
ØDA \_\_\_\_\_

### Dimensions



PVC / PVCW					
Ø [mm]	L [mm]	H [mm]	H <sub>1</sub> [mm]	ØB [mm]	S [mm]
75	40	165	55	160	8,0
90	40	165	55	200	8,0
110	40	165	55	225	8,0
125	40	175	65	225	8,0
140	40	180	70	250	8,0
160	40	190	80	250	8,0
180	40	200	90	280	8,0
200	40	210	100	315	8,0
225	40	225	115	355	8,0
250	40	235	125	400	8,0
280	50	275	165	450	10,0
315	50	295	185	500	10,0
355	50	305	195	550	10,0
400	50	335	225	600	10,0
450	50	375	225	650	10,0
500	50	395	275	700	10,0
560	-	-	-	-	-
600	60	480	340	800	10,0
630	-	-	-	-	-
700	70	585	425	900	10,0
710	-	-	-	-	-
800	80	605	425	100	10,0

## Plastic roof exhaust vent

# PVC-WDF

### Dimensions

PP / PPs / PE / PP-EL-s					
Ø [mm]	L [mm]	H [mm]	H <sub>1</sub> [mm]	ØB [mm]	S [mm]
75	40	165	55	160	8,0
90	40	165	55	200	8,0
110	40	165	55	225	8,0
125	40	175	65	225	8,0
140	40	180	70	250	8,0
160	40	190	80	250	8,0
180	40	200	90	280	8,0
200	40	210	100	315	8,0
225	40	225	115	355	8,0
250	40	235	125	400	8,0
280	50	275	165	450	10,0
315	50	295	185	500	10,0
355	50	305	195	550	10,0
400	50	335	225	600	10,0
450	50	375	225	650	10,0
500	50	395	275	700	10,0
560	60	425	305	750	10,0
600	60	480	340	800	10,0
630	70	540	425	850	10,0
700	70	585	425	900	10,0
710	70	605	425	900	10,0
800	80	605	425	100	10,0