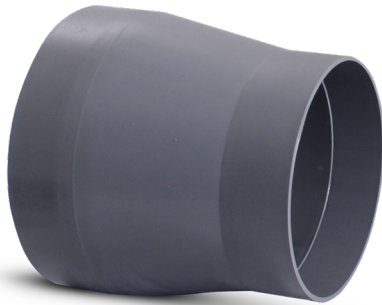


Plastic concentric ventilation reducer

PVC-RPCF



Description

Plastic concentric ventilation reducer with socket formed part round with interior stop for connecting pipes by welding (or PVC bonding up to \varnothing 250). Manufactured by injection moulding or with prefabricates.

Available materials - designation example

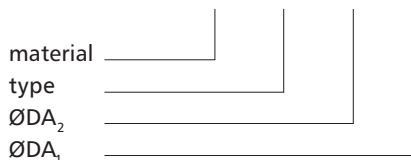
PVC-RPCF-... - PVC polyvinyl chloride
PPs-RPCF-... - PPs flame resistant polypropylene

Available materials - upon special order

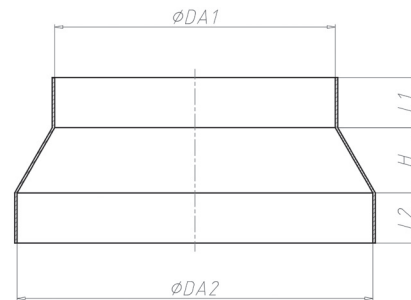
PVCW-RPCF-... - white PVC polyvinyl chloride
PP-RPCFF-... - PP polypropylene
PPELs-RPCF-... - PP-EL-s flame resistant electrically
conductive polypropylene
PE-RPCF-... - PE polyethylene
PVDF-RPCF-... - PVDF plastic

Designation example:

Product Code: **PVC - RPCF - aaa - bbb**



Dimensions



PVC / PVCW					
$\varnothing DA_1$ [mm]	$\varnothing DA_2$ [mm]	H [mm]	L_1 [mm]	L_2 [mm]	Min. S [mm]
50	75	40	25	40	2.5
50	90	60	25	40	2.5
50	110	100	25	40	2.5
63	75	40	25	40	2.5
63	90	60	25	40	2.5
63	110	100	25	40	2.5
75	90	40	40	40	2.5
75	110	80	40	40	2.5
75	125	120	40	40	2.5
90	110	60	40	40	2.5
90	125	100	40	40	2.5
110	125	40	40	40	2.5
110	140	80	40	40	2.5
110	160	140	40	40	2.5
110	180	50	40	40	2.5
110	200	65	40	40	2.5
125	140	40	40	40	2.5
125	160	100	40	40	2.5
125	180	40	40	40	2.5
125	200	55	40	40	2.5
125	225	65	40	40	2.5
125	250	90	40	40	2.5
140	160	60	40	40	2.5
140	180	30	40	40	2.5
140	200	45	40	40	2.5
140	225	60	40	40	2.5
140	250	80	40	40	2.5

Plastic concentric ventilation reducer

PVC-RPCF

Dimensions

PVC / PVCW					
ØDA ₁ [mm]	ØDA ₂ [mm]	H [mm]	L ₁ [mm]	L ₂ [mm]	Min. S [mm]
160	180	60	40	40	2.5
160	200	120	40	40	2.5
160	225	100	40	40	2.5
160	250	120	40	40	2.5
160	280	85	40	50	2.5
160	315	115	40	50	2.5
180	200	75	40	40	2.5
180	225	85	40	40	2.5
180	250	100	40	40	2.5
180	280	65	40	50	2.5
180	315	100	40	50	2.5
200	355	80	40	40	2.5
200	250	140	40	40	2.5
200	280	105	40	50	2.5
200	315	160	40	50	2.5
200	355	115	40	50	2.5
225	250	80	40	40	2.5
225	280	40	40	50	2.5
225	315	65	40	50	2.5
225	355	95	40	50	2.5
225	400	125	40	50	2.5
250	280	35	40	50	2.5
250	315	100	40	50	2.5
250	355	140	40	50	2.5
250	400	105	40	50	2.5
250	450	145	40	50	2.5
280	315	100	50	50	2.5
280	355	65	50	50	2.5
280	400	90	50	50	2.5
280	450	120	50	50	2.5
280	500	160	50	50	2.5
315	355	20	50	50	2.5
315	400	120	50	50	2.5
315	450	95	50	50	2.5
315	500	135	50	50	2.5
355	400	135	50	50	3.0
355	450	75	50	50	3.0
355	500	110	50	50	3.0
355	560	180	50	60	3.0
355	600	215	50	60	3.0
355	630	240	50	60	3.0
355	700	300	50	70	3.0
355	710	310	50	70	3.0
355	800	385	50	80	3.0

PVC / PVCW					
ØDA ₁ [mm]	ØDA ₂ [mm]	H [mm]	L ₁ [mm]	L ₂ [mm]	Min. S [mm]
400	450	45	50	50	3.0
400	500	80	50	50	3.0
400	560	140	50	60	3.0
400	600	175	50	60	3.0
400	630	205	50	60	3.0
400	700	265	50	70	3.0
400	710	270	50	70	3.0
400	800	350	50	80	3.0
450	500	45	50	50	5.0
450	560	100	50	60	5.0
450	600	130	50	60	5.0
450	630	160	50	60	5.0
450	700	220	50	70	5.0
450	710	230	50	70	5.0
450	800	305	50	80	5.0
500	560	55	50	60	5.0
500	600	90	50	60	5.0
500	630	115	50	60	5.0
500	700	175	50	70	5.0
500	710	185	50	70	5.0
500	800	265	50	80	5.0
560	600	40	60	70	6.0
560	630	65	60	60	6.0
560	700	125	60	70	6.0
560	710	135	60	70	6.0
560	800	215	60	80	6.0
600	630	30	60	60	6.0
600	700	90	60	70	6.0
600	710	100	60	70	6.0
600	800	180	60	80	6.0
630	700	65	60	70	6.0
630	710	75	60	70	6.0
630	800	155	60	80	6.0
700	710	15	70	70	6.0
700	800	90	70	80	6.0
710	800	85	70	80	8.0

PVC-RPCF**Dimensions**

PE / PP / PPs / PP-EL-s / PVDF					
ØDA ₁ [mm]	ØDA ₂ [mm]	H [mm]	L ₁ [mm]	L ₂ [mm]	Min. S [mm]
50	75	40	25	40	2.5
50	90	60	25	40	2.5
50	110	100	25	40	2.5
63	75	40	25	40	2.5
63	90	60	25	40	2.5
63	110	100	25	40	2.5
75	90	40	40	40	2.5
75	110	80	40	40	2.5
75	125	120	40	40	2.5
90	110	60	40	40	2.5
90	125	100	40	40	2.5
110	125	40	40	40	2.5
110	140	80	40	40	2.5
110	160	140	40	40	2.5
110	180	50	40	40	2.5
110	200	65	40	40	2.5
125	140	40	40	40	2.5
125	160	100	40	40	2.5
125	180	40	40	40	2.5
125	200	55	40	40	2.5
125	225	65	40	40	2.5
125	250	90	40	40	2.5
140	160	60	40	40	2.5
140	180	30	40	40	2.5
140	200	45	40	40	2.5
140	225	60	40	40	2.5
140	250	80	40	40	2.5
160	180	60	40	40	2.5
160	200	120	40	40	2.5
160	225	100	40	40	2.5
160	250	120	40	40	2.5
160	280	85	40	50	2.5
160	315	115	40	50	2.5
180	200	75	40	40	2.5
180	225	85	40	40	2.5
180	250	100	40	40	2.5
180	280	65	40	50	2.5
180	315	100	40	50	2.5
200	355	80	40	40	2.5
200	250	140	40	40	2.5
200	280	105	40	50	2.5
200	315	160	40	50	2.5
200	355	115	40	50	2.5

PE / PP / PPs / PP-EL-s / PVDF					
ØDA ₁ [mm]	ØDA ₂ [mm]	H [mm]	L ₁ [mm]	L ₂ [mm]	Min. S [mm]
250	280	35	40	50	2.5
250	315	100	40	50	2.5
250	355	140	40	50	2.5
250	400	105	40	50	2.5
250	450	145	40	50	2.5
280	315	100	50	50	2.5
280	355	65	50	50	2.5
280	400	90	50	50	2.5
280	450	120	50	50	2.5
280	500	160	50	50	2.5
315	355	20	50	50	2.5
315	400	120	50	50	2.5
315	450	95	50	50	2.5
315	500	135	50	50	2.5
355	400	135	50	50	3.0
355	450	75	50	50	3.0
355	500	110	50	50	3.0
355	560	180	50	60	3.0
355	600	215	50	60	3.0
355	630	240	50	60	3.0
355	700	300	50	70	3.0
355	710	310	50	70	3.0
355	800	385	50	80	3.0
400	450	45	50	50	3.0
400	500	80	50	50	3.0
400	560	140	50	60	3.0
400	600	175	50	60	3.0
400	630	205	50	60	3.0
400	700	265	50	70	3.0
400	710	270	50	70	3.0
400	800	350	50	80	3.0
450	500	45	50	50	5.0
450	560	100	50	60	5.0
450	600	130	50	60	5.0
450	630	160	50	60	5.0
450	700	220	50	70	5.0
450	710	230	50	70	5.0
450	800	305	50	80	5.0

Plastic concentric ventilation reducer

PVC-RPCF

Dimensions

PE / PP / PPs / PP-EL-s / PVDF					
$\varnothing DA_1$ [mm]	$\varnothing DA_2$ [mm]	H [mm]	L_1 [mm]	L_2 [mm]	Min. S [mm]
500	560	55	50	60	5.0
500	600	90	50	60	5.0
500	630	115	50	60	5.0
500	700	175	50	70	5.0
500	710	185	50	70	5.0
500	800	265	50	80	5.0
560	600	40	60	70	6.0
560	630	65	60	60	6.0
560	700	125	60	70	6.0
560	710	135	60	70	6.0
560	800	215	60	80	6.0
600	630	30	60	60	6.0
600	700	90	60	70	6.0
600	710	100	60	70	6.0
600	800	180	60	80	6.0
630	700	65	60	70	6.0
630	710	75	60	70	6.0
630	800	155	60	80	6.0
700	710	15	70	70	6.0
700	800	90	70	80	6.0
710	800	85	70	80	8.0