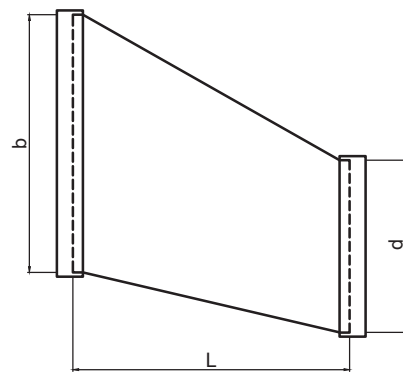
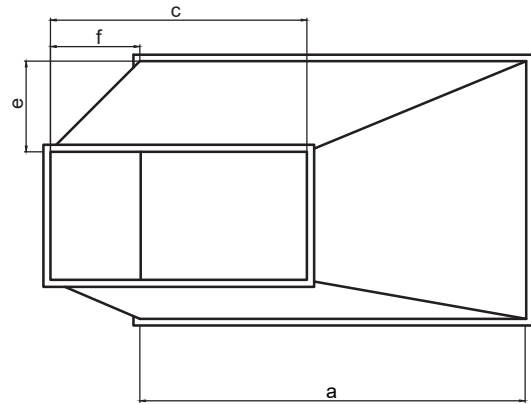


Asymmetric square-square reducer made of plastic materials

PVC-QPR2F



Dimensions



Description

Asymmetric reducer for joining two rectangular ducts with different sections. Except changing the duct dimensions it allows for an offset along the axis. The fitting is manufactured using modern welding tools. The dimension given in the catalogue constitutes the external dimension of the fitting.

Standard of performance: PVC-QPR2F - fitting with female ends
 PVC-QPR2T - fitting with flanges

Available materials - example of designation

- PVC-QPR2F - Polyvinylchloride (PVC)
- PPs-QPR2F - hardly flammable polypropylene (PP)
- PVCW-QPR2F - polyvinyl chloride - white
- PP-QPR2F - polypropylene PP
- PEELs-QPR2F - hardly flammable conductive polypropylene
PP-EL-s
- PE-QPR2F - polyethylene PE
- PVDF-QPR2F - PVDF material

Example of designation:

Product code: **PVC-QPR2F-500x300-400x200-50-50-1000**

type _____

a _____

b _____

c _____

d _____

e _____

f _____

l _____