

Plastic flange socket

PVC-FLSF



Description

Plastic flange socket, manufactured from prefabricates. It is used to connect flange components in round plastic ventilation ducts - e.g. in fans or other elements which are easy to disassemble. It is recommended to use the EPDM PVC-GASKET for flange connections.

Available materials - designation example

PVC-FLSF-... - PVC polyvinyl chloride
PPs-FLSF-... - PPs flame resistant polypropylene

Available materials - upon special order

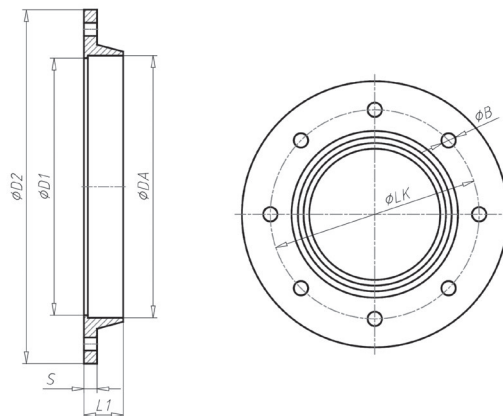
PVCW-FLSF-... - white PVC polyvinyl chloride
PP-FLSF-... - PP polypropylene
PPELs-FLSF-... - PP-EL-s flame resistant electrically conductive polypropylene
PE-FLSF-... - PE polyethylene
PVDF-FLSF-... - PVDF plastic

Designation example:

Product Code: **PVC - FLSF - aaa**

material _____
type _____
ØDA _____

Dimensions



PVC / PVCW / PP / PPs / PE / PP-EL-s

Ø _{DA} [mm]	Ø _{D1} [mm]	Ø _{D2} [mm]	Ø _{LK} [mm]	L ₁ [mm]	S [mm]
50	47	125	95	30	8
63	58	132	102	30	8
75	69	140	110	29	8
90	84	158	128	29	8
110	106	170	150	30	8
125	122	185	165	30	8
140	136	200	175	30	8
160	156	230	200	30	8
180	176	250	220	30	8
200	196	270	240	30	8
225	222	295	265	30	8
250	246	320	290	30	8
280	275	355	325	30	10
315	310	395	350	30	10
355	349	435	400	30	10
400	393	475	445	30	10
450	446	560	510	60	12
500	496	610	560	60	12
560	556	660	610	60	12
600	596	710	660	80	12
630	626	760	710	80	12
700	696	810	760	80	12
710	706	810	760	80	12
800	796	916	866	80	12