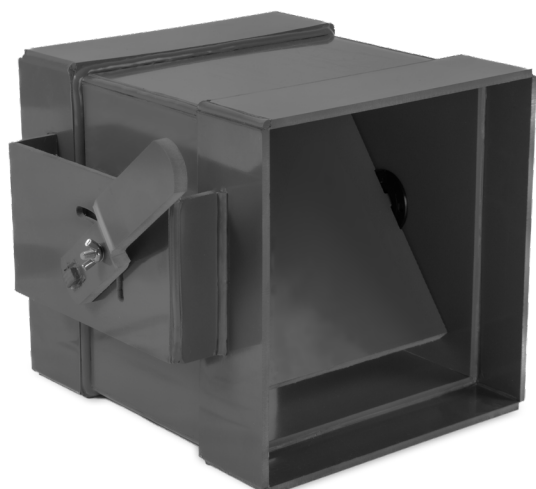


Plastic Single-Blade Damper

PVC-DSQ



Description

The single-blade damper is used to control and isolate air flow in rectangular ductwork. The DSQ damper can have a hand-operated damper mechanism, an externally-mounted actuator, or an actuator mounting. In the case of manual control, the rotation is carried out using the handle. It is possible to lock the position of blade by two locking screws. The standard version of DSQ is manual mechanism.

Standard length:

L=200 for $B \leq 300$
 L=250 for $300 < B \leq 500$
 L=300 for $500 < B \leq 700$

Available materials - example of designation

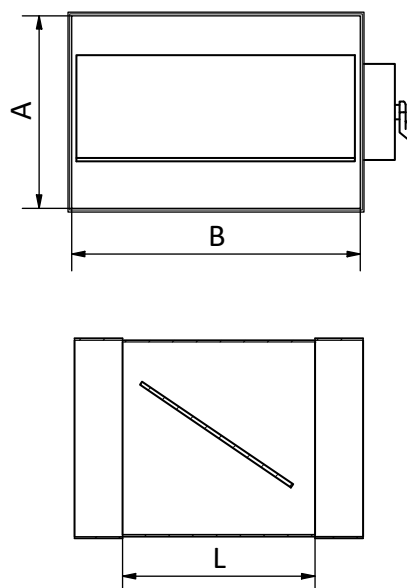
PVC-DSQ - polyvinylchloride (PVC)
 PPs-DSQ - hardly flammable polypropylene (PP)
 PP-DSQ - polypropylene PP
 PE-DSQ - polyethylene PE
 PVDF-DSQ - polyvinylidene fluoride (PVDF)

Example of designation:

Product code: **PVC-DSQ - 400x300**

type _____
 a _____
 b _____

Dimensions



Height A [mm]	Width B [mm]	Length L [mm]
200	200	200
300	200	200
300	300	200
400	200	200
400	300	200
400	400	250
500	200	200
500	300	200
500	400	250
500	500	250
600	200	200
600	300	200
600	400	250
600	500	250
600	600	300
700	200	200
700	300	200
700	400	250
700	500	250
700	600	300
700	700	300