

Plastic regulating damper **PVC-DATF**



Description

Plastic regulating damper, with a blade, designed for round ducts, with sockets, connected by welding (or PVC bonding up to Ø 250). Manufactured by the process of injection moulding (up to Ø 400) or prefabricated (from Ø 450).

Available materials - designation example

PVC-DATF-... - PVC polyvinyl chloride
PPs-DATF-... - PPs flame resistant polypropylene

Available materials - upon special order

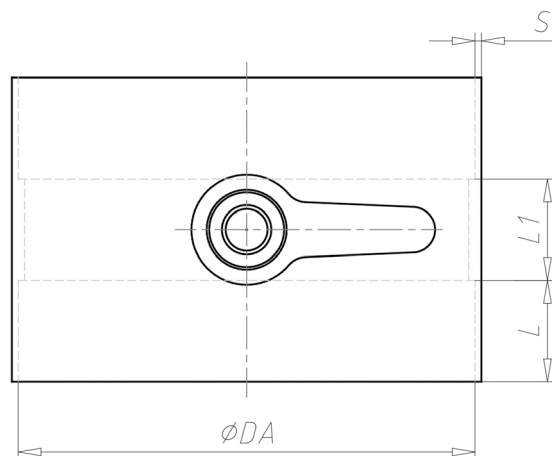
PVCW-DATF-... - white PVC polyvinyl chloride
PP-DATF-... - PP polypropylene
PEELs-DATF-... - PP-EL-s flame resistant electrically
conductive polypropylene
PE-DATF-... - PE polyethylene
PVDF-DATF-... - PVDF plastic

Designation example:

Product Code: **PVC - DATF - aaa**



Dimensions



PVC / PVCW				
Ø ₁ [mm]	L [mm]	L ₁ [mm]	Tolerance [mm]	Min. S [mm]
50	25	80	0.3	2.5
63	25	80	0.3	2.5
75	40	40	0.3	2.5
90	40	40	0.3	2.5
110	40	40	0.3	2.5
125	40	40	0.3	2.5
140	40	40	0.4	2.5
160	40	40	0.4	2.5
180	40	40	0.4	2.5
200	40	40	0.5	2.5
225	40	40	0.5	2.5
250	40	40	0.5	2.5
280	50	40	0.6	2.5
315	50	40	0.6	2.5
355	50	40	0.7	3.0
400	50	40	0.7	3.0
450	60	320	0.8	3.6
500	60	360	0.9	4.0
560	-	-	-	-
600	70	450	1.0	5.0
630	-	-	-	-
700	70	520	2.5	6.0
710	-	-	-	-
800	80	560	3.0	8.0

PVC-DATF

Dimensions

PP / PPs / PE / PP-EL-s				
\varnothing_1 [mm]	L [mm]	L ₁ [mm]	Tolerance [mm]	Min. S [mm]
50	25	80	0.7	3.0
63	25	80	0.7	3.0
75	40	40	0.7	3.0
90	40	40	0.9	3.0
110	40	40	1.0	3.0
125	40	40	1.2	3.0
140	40	40	1.3	3.0
160	40	40	1.5	3.0
180	40	40	1.7	3.5
200	40	40	1.8	3.5
225	40	40	1.9	3.5
250	40	40	2.0	3.5
280	50*	40*	2.2	3.5
315	50*	40*	2.4	4.0
355	50*	40*	2.4	4.0
400	50*	40*	2.4	4.5
450	60	320	3.5	5.0
500	60	360	4.0	5.0
560	70	410	4.5	6.0
600	70	450	4.5	6.0
630	70	480	4.5	6.0
700	70	520	4.5	8.0
710	80	530	4.5	8.0
800	80	560	4.5	8.0

*Dampers manufactured in accordance with the DIN 1946 standard, where PP/PE: L=35mm; L1-70mm.