

Plastic ventilation bend

PVC-BPF / PVC-BSF



Description

Plastic ventilation bend with socket formed part round with interior stop for connecting pipes by welding (or PVC bonding up to Ø 250). Manufactured by the process of injection moulding (Ø 50-400) or welding per segment (from Ø 450).

Segment bends are available under the PVC-BSF code.

Available materials - designation example

- PVC-BPF-... - PVC polyvinyl chloride
- PPs-BPF-... - PPs flame resistant polypropylene

Available materials - upon special order

- PVCW-BPF-... - white PVC polyvinyl chloride
- PP-BPF-... - PP polypropylene
- PEELs-BPF-... - PP-EL-s flame resistant electrically conductive polypropylene
- PE-BPF-... - PE polyethylene
- PVDF-BPF-... - PVDF plastic

Available angles: 90°, 60°, 45°, 30°, 15°

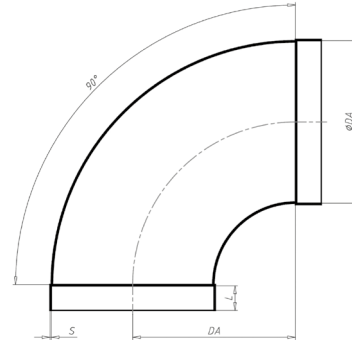
Designation example:

Product Code: **PVC - BPF - aaa - bbb**

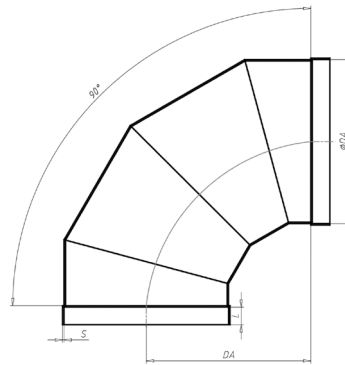
material	_____
type	_____
ØDA	_____
angle	_____

Dimensions

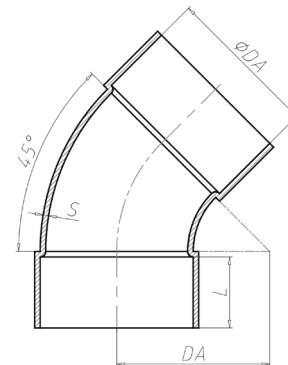
PVC-BPF-90



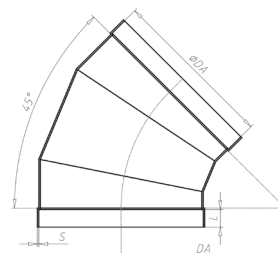
PVC-BSF-90



PVC-BPF-45



PVC-BSF-45



Plastic ventilation bend

PVC-BPF / PVC-BSF

Dimensions

Ø [mm]	PVC / PVCW			PE / PP / PPs / PP-EL-s / PVDF		
	L [mm]	Tolerance [mm]	Min. S [mm]	L [mm]	Tolerance [mm]	Min. S [mm]
50	25	0.3	1.8	25	0.7	3.0
63	25	0.3	1.8	25	0.7	3.0
75	40	0.3	1.8	40	0.7	3.0
90	40	0.3	1.8	40	0.9	3.0
110	40	0.3	1.8	40	1.0	3.0
125	40	0.3	1.8	40	1.2	3.0
140	40	0.4	1.8	40	1.3	3.0
160	40	0.4	1.8	40	1.5	3.0
180	40	0.4	1.8	40	1.7	3.0
200	40	0.4	1.8	40	1.8	3.0
225	40	0.5	1.8	40	1.9	3.5
250	40	0.5	2.0	40	2.0	3.5
280	50	0.6	2.3	50	2.2	3.5
315	50	0.6	2.5	50	2.4	4.0
355	50	0.7	2.9	50	2.7	4.0
400	50	0.7	3.2	50	3.0	4.5
450	50	0.8	3.6	50	3.5	5.0
500	50	0.9	4.0	50	4.0	5.0
560	-	-	-	60	4.5	5.0
600	60	1.0	6.0	60	4.5	6.0
630	-	-	-	70	4.5	6.0
700	70	2.5	6.0	70	4.5	6.0
710	-	-	-	80	4.5	6.0
800	80	3.0	8.0	80	4.5	8.0