

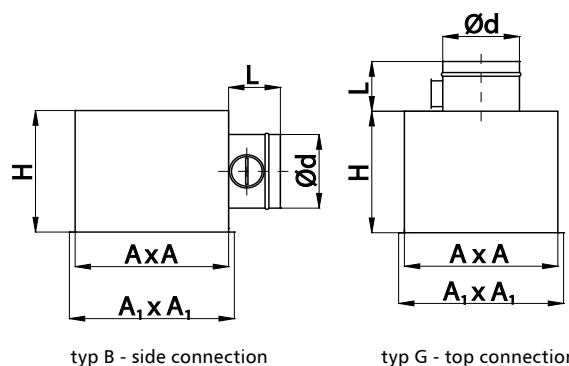
# Plenum boxes for exhaust diffusers raster RVA

## PRV

[Download Wentyle](#)  
[Download AlnorCAM](#)  
[Buy via B2B](#)



### Dimensions



### Description

PRV plenum boxes are connected to exhaust diffusers raster RVA. They are used to stabilise the air flow and ensure consistent supply of air to the exhaust diffusers.

The boxes can be connected either to the side or top of the ventilation system. They can be provided with a damper fitted to the inlet connector.

Available insulated boxes which are coated flexible and high-temperature resistant rubber isolation, 9mm thick . The boxes can be ordered based on the drawings supplied by the customer.

#### Symbol explanation:

##### Connection:

B – side connection

G – top connection

##### Equipment:

D – with damper

##### Insulation:

I – insulated

**Material:** galvanised steel

Acid-proof sheet metal upon request

##### Furnishing:

They are normally left unpainted.

Upon request they can be powder painted to RAL 9016

#### Example identification

Product code: **PRV 595 B D I Ød**

type

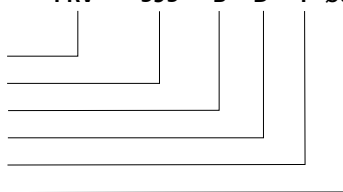
size

connection

equipment

insulation

diameter



Rodzaj anemostatu [mm]	AxA [mm]	A <sub>1</sub> x A <sub>1</sub> [mm]	H [mm]	Max. Ød [mm]	Stand. Ød [mm]	L [mm]
RVA-595-595	555	585	330	250	250	165