

Turning vane guides for rectangular fittings

PRQ



Description

PRQ turning vane guides are designed for installation of air vanes inside square fittings.

They are made from an aluminium zinc alloy and feature a rubber seal. The product is suitable for sheet thickness of 0.4 to 1.1 mm.

Unlike the guides, the vanes are fitted in the ventilation fittings according to the applicable Polish standards and they are not available as separate products.

Available materials — Product code examples

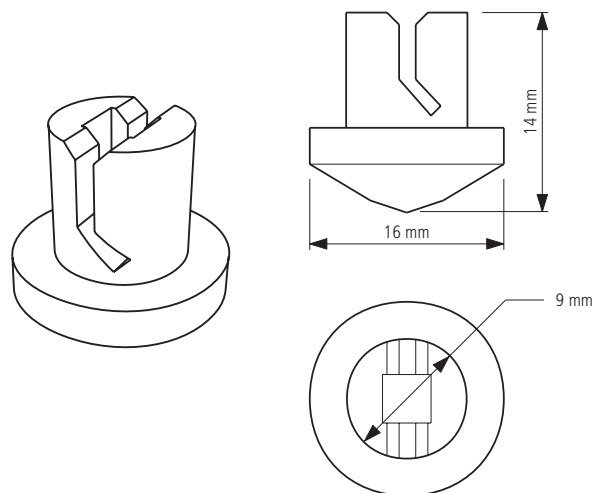
PRQ — ZnAl alloy

Product code example

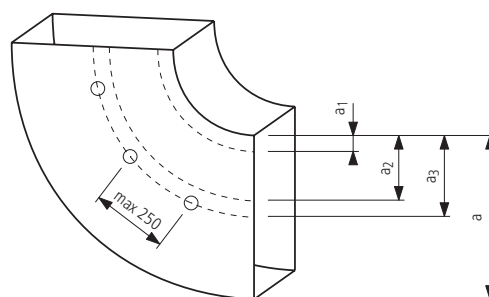
Product code: **PRQ**

type _____

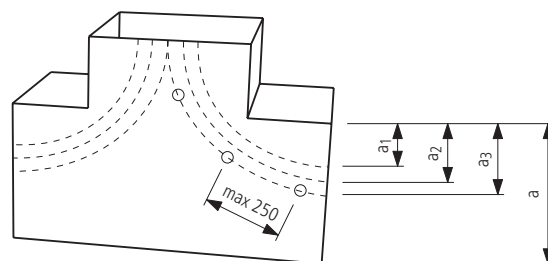
Dimensions



Installation diagram



arrangement of vanes in a bend



arrangement of vanes in a T-piece

Duct width (mm)	Number of vanes (pcs)	Vane spacing		
		a ₁	a ₂	a ₃
> 400-800	1	a/3	-	-
> 801-1600	2	a/4	a/2	-
> 1601-2000	3	a/8	a/3	a/2