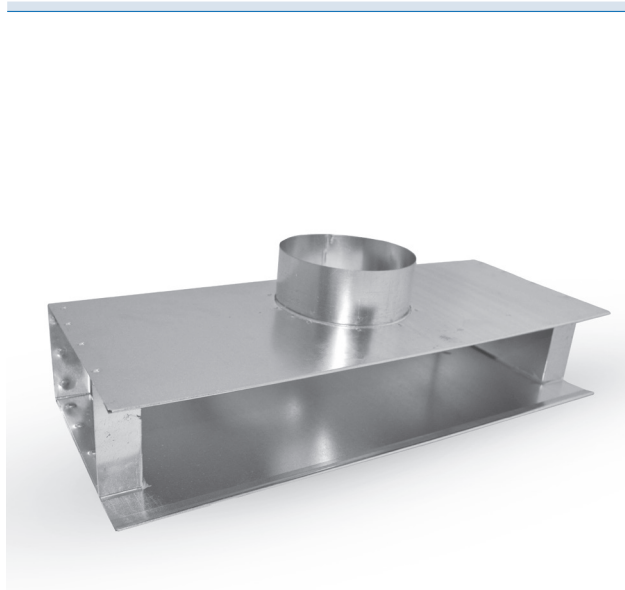


Plenum boxes for LDS linear slot diffusers

PR-LDS



Description

The PR-LDS plenum boxes connect the ductwork ends to the LDS linear slot diffusers in low- or medium-pressure ventilation systems.

A plenum box stabilizes the air supply, providing uniform air flow rate before the air enters the diffuser. The ductwork is connected to the plenum box inlet port at the side.

The PR-LDS inlet port can be provided with a damper.

ALNOR fabricates plenum boxes lined with flexible and heat-resistant 9 mm thick rubber insulation mats.

Symbols:

Equipment:

D — with air damper

Insulation:

I — insulated

Material: galvanized steel

Stainless steel version available on request.

Finish:

The standard version is supplied unpainted.

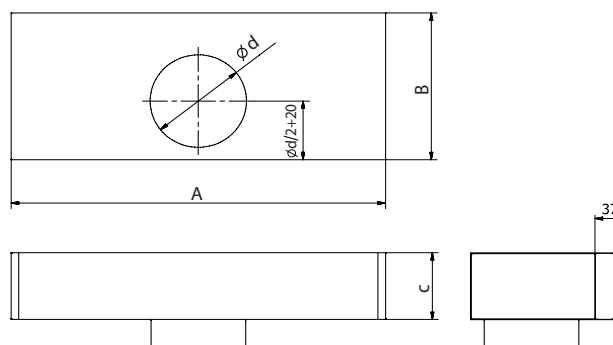
RAL 9016 powder-coated finish is available on request.

Product code example

Product code: **PR-LDS - 1-495 - D - I - Ød - 1**

type	_____
size	_____
equipment	_____
insulation	_____
diameter	_____
no. of ports	_____

Dimensions



Rodzaj nawiewnika [mm]	A [mm]	B [mm]	C [mm]	Stand. Ød [mm]
LDS-1-495	490	200	45	125
LDS-2-495	490	200	90	160
LDS-2-990	985	200	90	160
LDS-3-990	985	250	140	200
LDS-4-990	985	250	185	200