

# Square roof air intake/exhaust hood base

## PDQ-AII



### Description

PDQ-AII roof bases provide a connection between square ductwork and a roof ventilator or exhaust vent. The bottom part is an extended square duct, fabricated to the ordered size (max. 1000x1000 mm). The top part of the standard version is designed for installation on flat roofs and made of PQ30 frame angles to fit square air intakes and exhaust units. The roof base is also available, on request, in stainless steel or aluminium sheet.

#### Made of stainless steel sheet:

The minimum size of the sides: 200x200 mm  
The maximum size of the sides: 1000x1000

#### Made of aluminium sheet:

The minimum size of the sides: 200x200 mm  
The maximum size of the sides: 600x600

Available materials - Product code examples

- PDQ-AII-...-... - galvanized steel sheet
- PDQ-AII-K-...-... - 1.4301/304 stainless steel sheet
- PDQ-AII-K-...-...-316L - 1.4404/316L stainless steel sheet, molybdenum-enriched
- PDQ-AII-A-...-... - aluminium sheet

#### Product code example

Product code: **PDQ-AII - 400 - 400**

type \_\_\_\_\_

a \_\_\_\_\_

b \_\_\_\_\_

Product code examples for standard sizes:

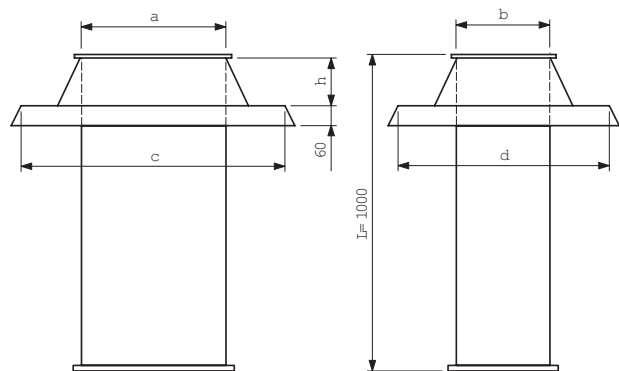
**PDQ-AII-a-b** **PDQ-AII-400-400**

Medium-pressure version:

**PDQ-AII-a-b-S** **PDQ-AII-400-400-S**

The square duct angle frame is made to Polish standards.

### Dimensions



<i>a x b</i> [mm]	<i>c x d</i> [mm]	<i>h</i> [mm]
200x200	498x498	125
300x300	626x626	150
400x400	755x755	175
500x500	885x885	200
600x600	1014x1014	225
700x700	1143x1143	250
800x800	1272x1272	275
900x900	1401x1401	300
1000x1000	1531x1531	325

The standard version (up to 1000x1000) ensures compatibility with other ventilation products, such as roof cubs, hood bases, air intake and exhaust hoods. Not all products can be manufactured with bigger dimensions.