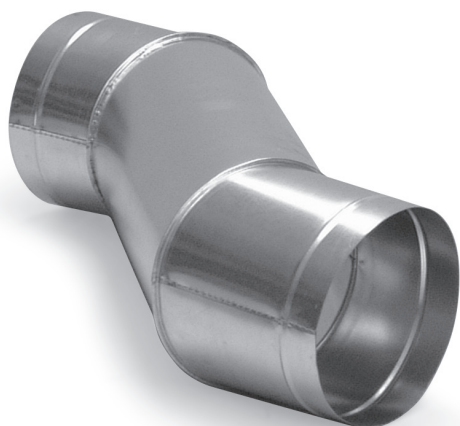


ODSOL/ODSO



Description

Round duct offsets help routing ductwork around obstacles. The offset height is standardized; however, the oblique tube length can be customized. The offset can also be fabricated with two 45 or 30-degree bends and a spiral duct section.

- ODSO** – round offset without a gasket
- ODSOL** – round offset with an EPDM gasket

Available materials - Product code example

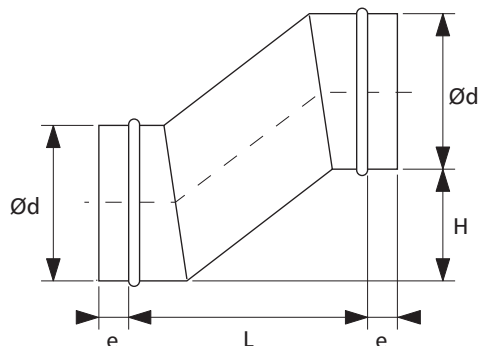
- ODSOL-... - galvanized steel sheet
- ODSOL-K-... - 1.4301/304 stainless steel sheet
- ODSOL-K-...- 316L - 1.4404/316L stainless steel sheet, molybdenum-enriched
- ODSOL-A-... - AW-1050A H24 aluminium sheet
- ODSOL-CU-... - M1E z4 copper sheet

Product code example

Product code: **ODSOL - aaa**

type _____
 Ød _____

Dimensions



Ød_{nom} [mm]	L [mm]	H [mm]	Weight [kg]
80	175	80	0.33
100	200	100	0.45
125	235	125	0.65
140	260	140	0.75
150	270	150	0.85
160	285	160	1.00
180	315	180	1.20
200	345	200	1.40
224	375	224	1.70
250	415	250	2.00
280	455	280	2.50
300	485	300	3.30
315	505	315	3.50
355	560	355	5.20
400	625	400	6.30
450	695	450	9.70
500	765	500	11.2
560	850	560	13.7
630	950	630	16.9
710	1065	710	26.6
800	1190	800	32.9
900	1335	900	40.6
1000	1475	1000	50.7
1120	1645	1120	69.6
1250	1830	1250	85.0