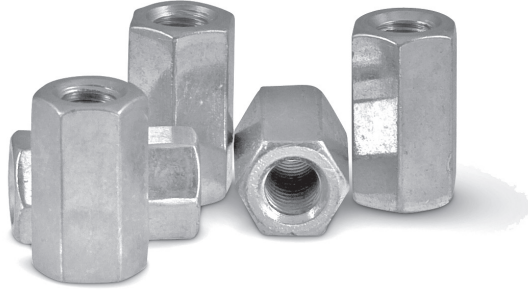
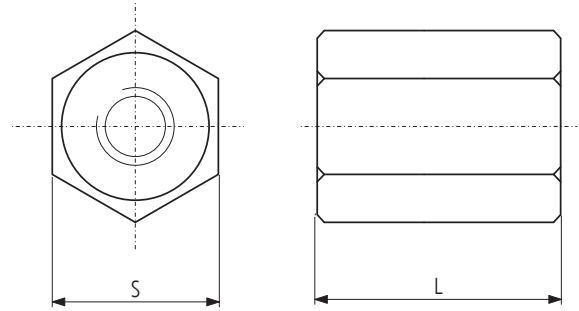


# Steel coupling nut for threaded rods

## NZO



### Dimensions



### Description

NZO coupling nuts are used for joining the ends of two PG threaded rods together. Thread each PG end halfway into the coupling nut to achieve the full performance of this hardware type. The coupling nuts extend the threaded rods where the ceiling to ventilation duct clearance exceeds 3 m and threaded rods cannot be used in solid pieces.

#### Available materials — Product code example

NZO-... — galvanized steel sheet

#### Product code example

Product code: **NZS - M8**

type \_\_\_\_\_  
 diameter \_\_\_\_\_

Product code	Size	S [mm]	L [mm]	Weight [kg/100]
NZO-M6	M	10	24	0.11
NZO-M8	M	13	24	0.21
NZO-M10	M	17	30	0.35
NZO-M12	M	19	40	0.58