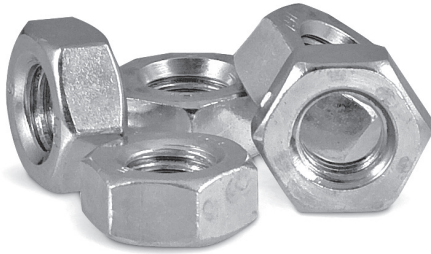


# Steel nuts

## NKS



### Description

Steel nuts are universal construction and assembly fasteners also designed for fabrication and installation of ventilation components. Steel nuts can be used with steel washers and screws for bolting square duct flange frames at the corners. They are also used for fabricating air intake units, roof bases and exhaust units. They are essential for fastening all types of joints, LDB channels, LDB Strut channels, and other suspension products, e.g. perforated tapes.

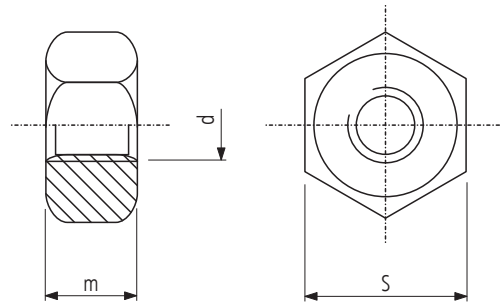
**Available materials — Product code example**  
 NKS-... — galvanized steel sheet

#### Product code example

Product code: **NKS - M8**

type \_\_\_\_\_  
 diameter \_\_\_\_\_

### Dimensions



Product code	<i>d</i> [mm]	<i>m</i> [mm]	<i>s</i> [mm]	Weight [kg/100]
NKS-M6	6	5	10	0.25
NKS-M8	8	5	13	0.52
NKS-M10	10	5	17	1.16
NKS-M12	12	5	19	1.73