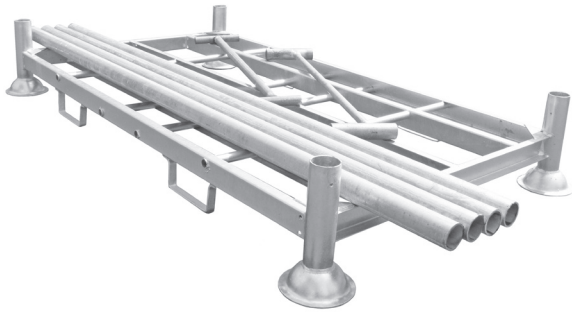


SPIRAL duct racks

MOBIL-RACK



Description

The racks are designed for storage and shipping of SPIRAL round ducts. They can accommodate ducts in the nominal diameter range of 80 mm to 315 mm. If the box capacity needs to be maximized, ducts of max. 3 different nominal diameters can be boxed by placing smaller tubes into larger ones. An empty rack can be collapsed and stacked to save space in warehouses and on transport vehicles.

Product code example

Product code: **MOBIL-RACK**

type _____

Dimensions

