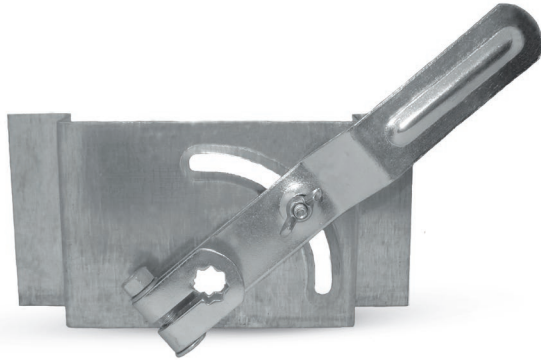
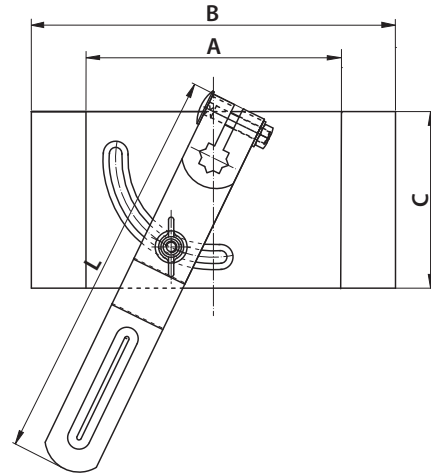


Square ventilation damper mechanism

KKS-2



Dimensions



Description

The KKS-2 damper mechanism is made entirely from galvanized steel. The product is intended for the fabrication of single and multi-blade dampers. The PRET-10-10 linkage rod is fastened to the control lever with a clamp bolt. This damper mechanism is usually installed in the damper by inserting the damper control arms and a QSB panel into a PQ flange profile that forms the flange frame of the damper unit.

NOTE!

PRET-10-10 control rod bars are sold separately.

Available materials - Product code examples

KKS-2 - galvanized steel sheet

Product code example

Product code: **KKS-2**

type _____

Product code	A (mm)	B (mm)	C (mm)	L (mm)	Intended use
KKS-2	112	160	77	175	DSQW

Installation Method

Example of the correct installation of the damper blade control mechanism.

