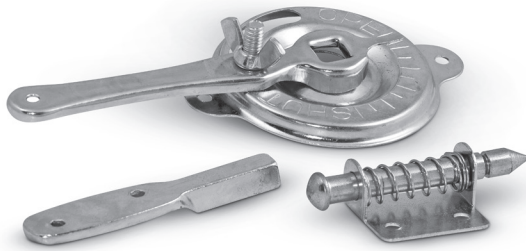


Simple ventilation damper mechanism

KIT-DSKS



Description

The KIT-DSKS ventilation damper mechanism is an assembly for controlling ventilation duct dampers, made entirely from galvanized steel sheet. Depending on the specific type (145 or 195), the ventilation damper mechanism fits either the round duct diameter range 80-160 mm or 150-315 mm. It is also suitable for small square dampers. The top part of the damper mechanism is fastened to the damper blade with rivets or screws via two designated holes. The damper blade is fastened from above with a control linkage rod attached to the damper mechanism's control lever; the bottom of the blade is fastened with a spring-loaded piece to stabilize the damper blade in the vertical position.

Available materials — Product code examples

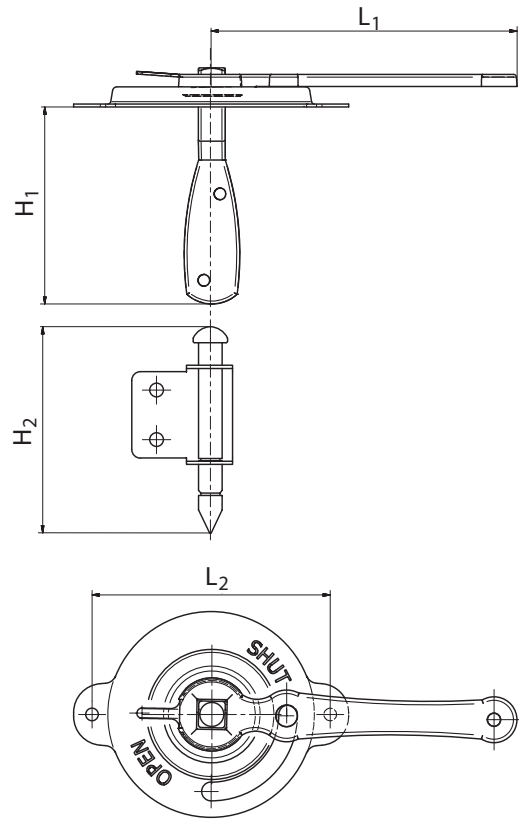
KIT-DSKS-...- galvanized steel sheet

Product code example

Product code: **KIT-DSKS-145**

type _____

Dimensions



Product code	diameter size	L ₁ (mm)	L ₂ (mm)	H ₁ (mm)	H ₂ (mm)
KIT-DSKS-145	80 - 160	72	58	55	55
KIT-DSKS-195	150 - 315	110	82	68	70