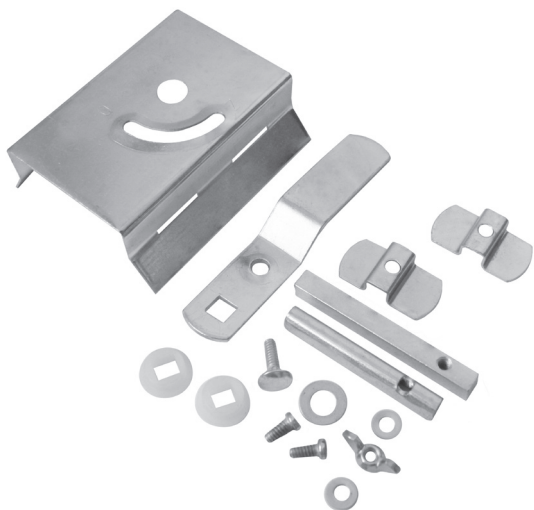


## Round ventilation damper mechanism

# KIT-DSKKS-0/KIT-DSKKS-1



### Description

The KIT-DSKKS-0 and KIT-DSKKS-1 damper mechanisms are available in galvanized steel sheet. They fit round damper sizes from 80 to 250 mm.

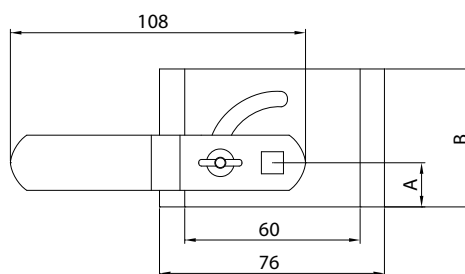
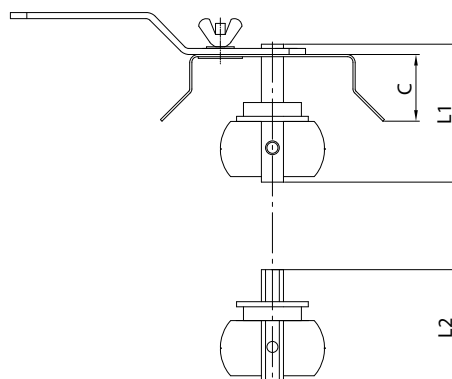
**Available materials — Product code examples**  
KIT-DSKKS-1...- galvanized steel sheet

#### Product code example

Product code: **KIT-DSKKS-1**

type \_\_\_\_\_

### Dimensions



Product code	diameter size (mm)	L <sub>1</sub> (mm)	L <sub>2</sub> (mm)	A (mm)	B (mm)	C (mm)
KIT-DSKKS-0	80-250	50	40	15	50	27
KIT-DSKKS-1	80-250	70	60	33	90	30