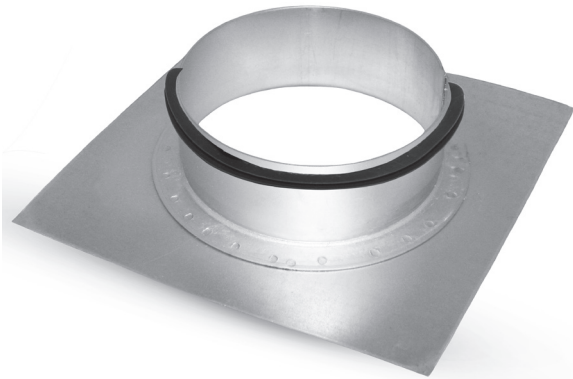


# Square spigot plates

## KILL



### Description

KILL square spigot plates can be installed in square duct walls. The round end is provided with an EPDM gasket. The product is made from galvanized steel sheet. Stainless steel and aluminium versions are available on request. The standard diameter is male. A female end is available on request.

#### Available materials - Product code example

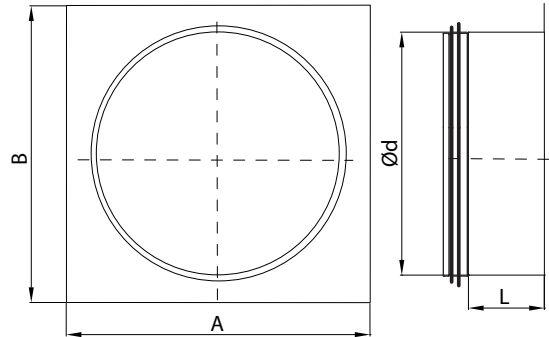
- KILL-... - galvanized steel sheet
- KILL-K-... - 1.4301/304 stainless steel sheet
- KILL-K-...- 316L - 1.4404/316L stainless steel sheet, molybdenum-enriched
- KILL-A-... - AW-1050A H24 aluminium sheet
- KILL-CU-... - M1E z4 copper sheet

#### Product code example

Product code: **KILL - 160**

type \_\_\_\_\_  
 Ød \_\_\_\_\_

### Dimensions



Type	Ød [mm]	A [mm]	B [mm]	L [mm]
KIL-80	80	160	160	30
KIL-100	100	160	160	30
KIL-125	125	180	180	30
KIL-150	150	210	210	30
KIL-160	160	220	220	30
KIL-180	180	260	260	30
KIL-200	200	260	260	30
KIL-250	250	320	320	30
KIL-315	315	360	360	30
KIL-355	355	470	470	53