

Ball jet diffuser

KHA



Description

The KHA ball jet diffuser is intended for supplying fresh air to high and very large areas, including theatre halls, cinema auditoria, or industrial bays. The high volumetric air flow from the diffuser has a low sound pressure level and provides a very long air flow range.

The ball jet diffuser can be installed for supplying air either horizontally or vertically.

The ball jet nozzle can be adjusted in any direction within 30° from the centreline without affecting the air flow resistance or the sound pressure level.

The KHA ball jet diffuser has a male inward connection.

Material: aluminium

Finish: RAL 9016 powder-coated

Standard colour: white

Available materials — Product code examples

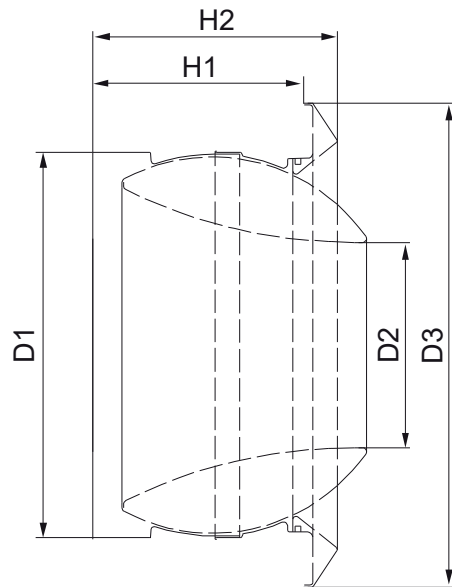
KHA-...- RAL 9016 powder coat

Product code example

Product code: **KHA - aaa**

type _____
 $\varnothing D_1$ _____

Dimensions



$\varnothing D_1$ [mm]	$\varnothing D_2$ [mm]	$\varnothing D_3$ [mm]	H1 [mm]	H2 [mm]
100	45	139	57	72
125	60	170	73	90
150	76	199	83	104
200	105	264	108	132
250	128	315	137	183
315	163	388	170	200
350	184	432	188	200
400	210	495	216	250
450	235	559	239	272
500	256	617	257	299
630	331	780	327	380

Technical specifications

Dimension [mm]	Air flow range									V [m/s]
	10 m			20 m			30 m			
	q [m ³ /h]	Pressure drop [Pa]	L _A dB(A)	q [m ³ /h]	Pressure drop [Pa]	L _A dB(A)	q [m ³ /h]	Pressure drop [Pa]	L _A dB(A)	
100	-	-	-	95	86	29	140	175	39	0,25
125	-	-	-	124	71	25	180	136	36	
160	83	11	<20	162	26	<20	250	98	35	
200	100	-	<20	221	29	<20	306	69	27	
250	135	-	<20	276	8.3	<20	382	31	22	
315	180	-	<20	352	11	<20	540	39	20	
400	234	-	<20	468	8.0	<20	702	13	<20	
500	279	-	<20	527	6.5	<20	865	8	<20	0,5
100	94	86	29	181	300	50	-	-	-	
125	122	71	25	240	264	46	-	-	-	
160	165	26	<20	330	115	44	497	200	55	
200	220	29	<20	439	120	38	655	218	50	
250	274	8.3	<20	541	60	34	825	112	45	
315	350	11	<20	682	55	28	1055	104	40	
400	460	8	<20	914	32	20	1394	69	33	1,0
500	545	6	<20	1233	21	15	1650	45	28	
100	187	300	50	-	-	-	-	-	-	
125	249	265	42	-	-	-	-	-	-	
160	330	113	44	-	-	-	-	-	-	
200	435	123	38	875	312	-	-	-	-	
250	548	63	34	1100	160	53	-	-	-	
315	700	57	28	1400	150	48	2100	243	-	
400	930	32	20	1860	123	42	2796	265	50	
500	1146	26	14	2245	95	37	3280	290	49	

L_A dB(A) - noise levelq (m³/h) - volumetric flow rate

V (m/s) - air velocity