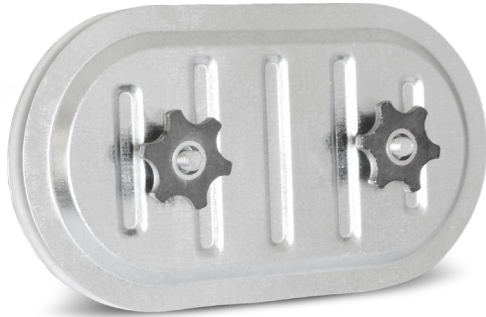


High temperature access door for square ducts

IPFQ-HT



Description

The IPFQ-HT access door is the simplest, tried and tested, and very convenient closure for access openings in square ducts. The design of the IPFQ-HT access door and its gasket profile provide a perfect seal around the duct opening. The access door consists of two covers which clamp the edges of the opening via two lock knobs. When closed, the access door provides an air-tight seal. This solution provides air tightness class D.



The **IPR-BIT** drill bit makes tightening the knob much easier. Two sizes are available: M8 and M10.

IPR-BIT-M8 for IPR, IPFQ ≤ 300x200
IPR-BIT-M10 for IPFQ ≥ 400x300

A cutting template for the access openings is included.

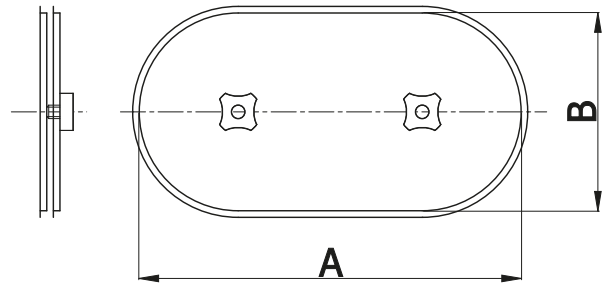
Available materials — Product code examples
 IPFQ-HT-...- galvanized steel sheet

Product code example

Product code: **IPFQ-HT - aaa**

type _____
 AxB _____

Dimensions



Product code	A [mm]	B [mm]
IPFQ-180-80	180	80
IPFQ-200-100	200	100
IPFQ-300-200	300	200
IPFQ-400-200	400	200
IPFQ-400-300	400	300
IPFQ-500-300	500	300
IPFQ-500-400	500	400
IPFQ-600-450	600	450

A and B are the dimensions of the opening to be made in the duct wall.

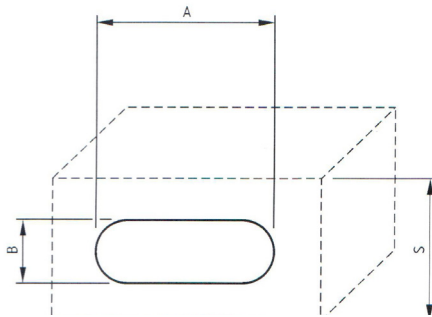
High temperature access door for square ducts

IPFQ-HT

Technical specifications

Minimum dimensions of the access opening for square duct sizes in accordance with EN 12097.

Oval or square opening	
Diameter/size S of the duct side with the access door installed	Minimum opening dimensions in the duct wall [mm] AxB
$S \leq 200$	300x100
$200 < S \leq 500$	400x200
$500 < S$	500x400



Specifications of USZ-CER seals:

The USZ-CER ceramic seals provide temperature resistance up to 1100°C. The backing layer is made from aluminosilicate fiber felt. The adhesive material is based on modified acryl.

Diameter of fibre	3.2 µm
Density	200-300 kg/m ³
Tensile strenght	> 350kPa lub 15.4 N/cm
Maximal working temperature	1100°C
Melting point	> 1300°C
Heat conduction	0.09 W/mK

Temperature range: 200°C (steels)
350°C (periodic)

Air tightness class

The access door gasket provides the highest air tightness class (D) provided that fittings used are equipped with seals.

