

Flexible sleeve with clamps

ILA-TK



Description

ILA-TK is a flexible duct connector used for neutralizing vibrations in circular ventilation ducts caused by air handling units, fans and other HVAC equipment.

ILA-TK is a set of flexible fabric sleeve width 145 mm welded to the chosen diameter, and two clamps suitable to the size of the duct.

The clamps are made of stainless steel fastening bands and TKS-A locking devise with a screw made of carbon steel.

Apart from the anti-vibration properties, the flexible connector is highly adjustable - ILA-TKA can be slid over nonstandard duct diameters – e.g. 95 - 102 mm – useful when joining with other materials rather than standard metal spiral duct.

Available materials:

ILA-TK-PV - PVC coated fabric

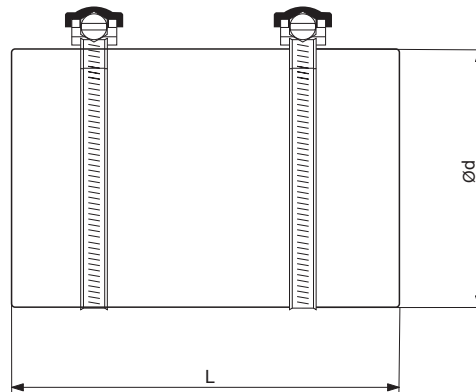
ILA-TK-PU - polyurethane (PU) coated fabric

Product code example

Product code: **ILA-TK - aaa - bbb - ccc**

type	_____
material	_____
Ød	_____
width	_____

Dimensions

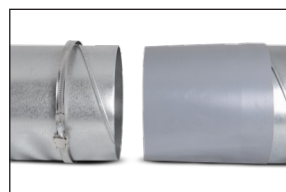


Product code	Ød [mm]	L [mm]
ILA-TK-...-100-145	100	145
ILA-TK-...-125-145	125	145
ILA-TK-...-150-145	150	145
ILA-TK-...-160-145	160	145
ILA-TK-...-180-145	180	145
ILA-TK-...-200-145	200	145
ILA-TK-...-225-145	225	145
ILA-TK-...-250-145	250	145
ILA-TK-...-280-145	280	145
ILA-TK-...-315-145	315	145
ILA-TK-...-355-145	355	145
ILA-TK-...-400-145	400	145
ILA-TK-...-450-145	450	145
ILA-TK-...-500-145	500	145
ILA-TK-...-560-145	560	145
ILA-TK-...-630-145	630	145

Standard fabric width: 145mm.

Other sizes on request (e.g. 160mm).

Installation method



Put the band clips over the duct ends. Slide a PVC/PU-coated textile sleeve over the 30-40 mm of the duct (at both ends).



Bring both duct ends to the required gap (of ca. 15 mm) and tighten the textile sleeve with TKS-A band clips.