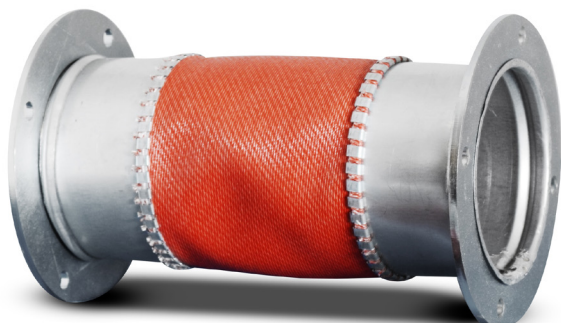
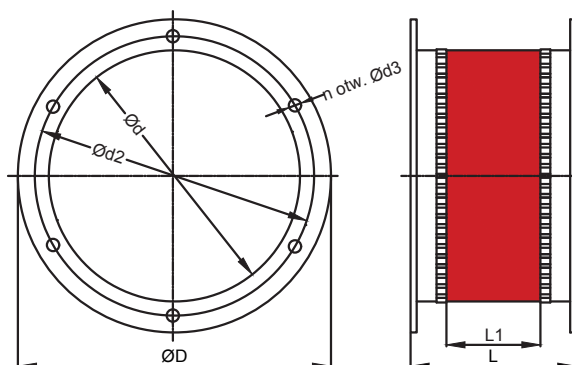


Flexible duct connector with flanges for smoke extraction systems

ILA-FLS-SMO-SIL



Wymiary



Description

ILA-FLS-SMO-SIL flexible duct connector with flanges (thermal expansion joint), fire resistance class:E600 120 (ho) S1500 single, designed for single-compartment smoke extraction systems and combined (dual-function) systems. The connector is made of AMT tape, a joint consisting of a layer of silicone coated fabric and two strips of sheet metal on both sides. Welding points and other joints are covered with high-temperature sealant. SMOKE System fittings are available in diameters from 100 to 1000 mm.

Flexible duct connector should be used for ducts longer than 5 m. The maximum permissible distance between flexible duct connector must not exceed 10 m.

Available materials - product marking example:

ILA-FLS-SMO-SIL-...- galvanized steel sheet, silicone coated fabric

Order example: ILA-FLS-SMO-SIL-200

Product code example

Product code: ILA-FLS-SMO - SIL - bbb

type _____
 fabric _____
 diameter _____

$\varnothing d_{nom}$ [mm]	$\varnothing D$ [mm]	$\varnothing d_2$ [mm]	$\varnothing d_3$ [mm]	n [pcs.]	L_1 [mm]	L [mm]
100	132	132	9.5	4	100	210
112	152	144	9.5	4	100	210
125	177	157	9.5	4	100	210
140	192	172	9.5	6	100	210
150	202	182	9.5	6	100	210
160	212	192	9.5	6	100	210
180	232	212	9.5	6	100	210
200	253	233	9.5	6	100	210
224	277	257	9.5	6	100	210
250	303	283	9.5	6	100	210
280	343	317	9.5	8	100	210
300	363	337	9.5	8	100	210
315	378	352	9.5	8	100	210
355	418	392	9.5	8	100	210
400	464	438	9.5	8	100	210
450	514	488	9.5	8	100	210
500	564	538	9.5	8	100	210
560	634	600	9.5	12	100	210
600	676	640	9.5	12	100	210
630	704	670	9.5	12	100	210
710	784	750	9.5	12	100	210
800	874	840	9.5	16	100	210
900	974	940	9.5	16	100	210
1000	1075	1041	9.5	16	100	210