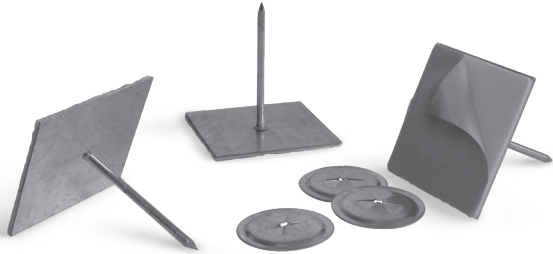
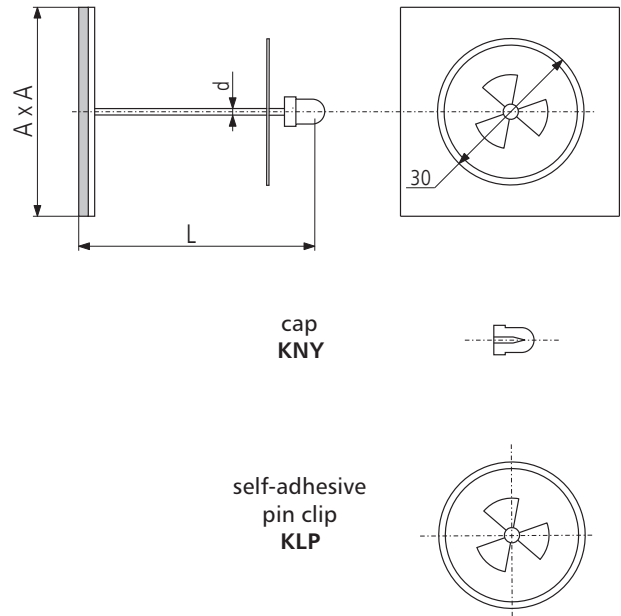


Self-adhesive pins for ductwork insulation systems

GWS



Dimensions



Description

The GWS self-adhesive pins are attached to the plain ductwork surface with a self-adhesive foam patch, providing spikes to which thermal insulation can be attached without piercing the ductwork walls.

Available sets include GWS pins and KLP clips. KNY caps are sold separately.

A total of 6 to 10 GWS self-adhesive pins are recommended for a surface area of 1 m².

Available materials — Product code examples

GWS-... — galvanized steel sheet

Product code example

Product code: **GWS-33**

type _____

Product code	L (mm)	d (mm)	A (mm)
GWS-25	25	2.7	50
GWS-33	33	2.7	50
GWS-43	43	2.7	50
GWS-53	53	2.7	50
GWS-63	63	2.7	50
GWS-76	76	2.7	50
GWS-103	103	2.7	50
GWS-115	115	2.7	50