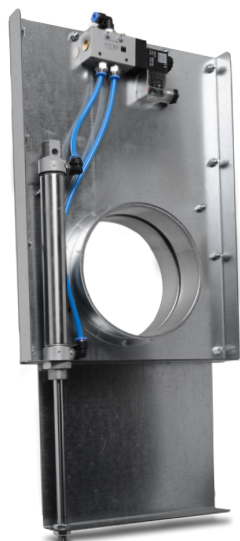
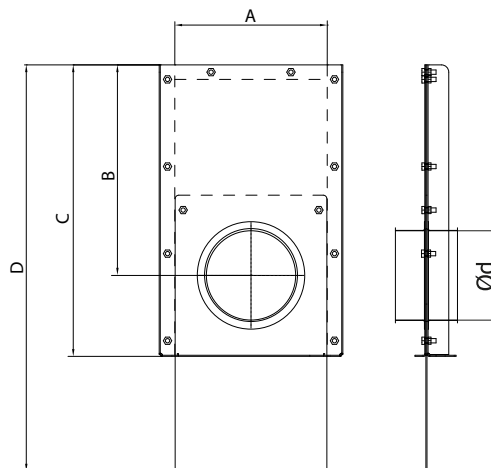


Pneumatic sliding damper for dust extraction systems

GKMQT



Dimensions



Description

Sliding damper is equipped with a pneumatic actuator. Sliding damper (blast gate) is used in dust collection systems to shut off a line or control the air flow.

The power supply of the solenoid valve: 230V, 24V AC or 24V DC should be specified during the ordering process.

Available materials - designation example

GKMQT-160 - galvanised steel sheet

Designation example

Product Code: **GKMQT** - aaa

type
 diameter Ød

Diameter Ød [mm]	A [mm]	B [mm]	C [mm]	D [mm]
100	184	210	320	455
125	209	290	400	555
150	244	300	405	590
160	244	300	405	600
180	265	330	460	640
200	315	370	515	750
225	335	450	620	910
250	440	530	757	1120
300	440	530	757	1120
315	400	530	757	1120
350	440	593	836	1196
400	484	675	915	1355
450	484	675	915	1355
500	685	960	1300	1940
550	685	960	1300	1940
600	685	960	1300	1940