

Round gate damper with pneumatic actuator

GKML/GKM



Description

The GKML/GKM round gate dampers with pneumatic actuators are designed for air ventilation and dust extraction systems. The design of the gate damper makes it easier to clean the ductwork as there are no elements within the clear opening. The gate damper provides a tight seal when closed or full opening.

The solenoid valve of the pneumatic actuator is available for 230 V AC, 24 V AC or 24 V DC power supply - to be specified when ordering.

Recommended installation options:

- GKML/GKM sized ≤ 200 mm in diameter: use 1 actuator
- GKML/GKM sized > 200 mm in diameter: use 2 actuators

GKM - gate damper with actuator and bare flanges

GKML - gate damper with actuator and EPDM gaskets at the flanges, air tightness class D acc. to EN12237

Technical parameters

Air cylinder:

- control pressure: 0,6 MPa (6 bar)
- max. ambient temp: -20°C to 80°C
- operating medium: treated air

Solenoid valve:

- control pressure: max 7bar
- ambient temperature: max 50°C
- supply voltage: 230V
- Ingress protection: IP65

Available materials — Product code examples

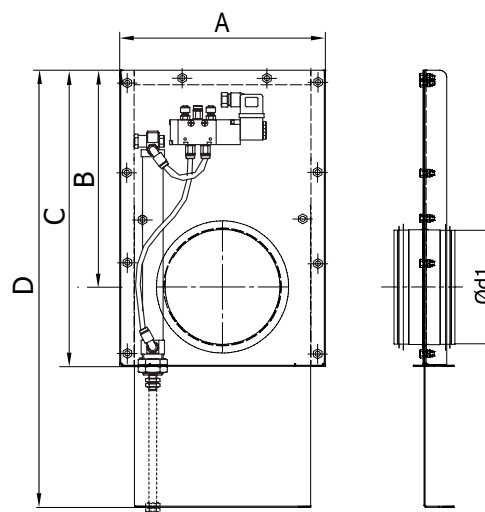
- GKML-... - galvanized steel sheet
- GKML-K-... - 1.4301/304 stainless steel sheet
- GKML-K-...-316L - 1.4404/316L stainless steel sheet
- GKML-A-... - aluminium sheet

Product code example

Product code: **GKML - aaa**

type _____
 Ød₁ _____

Dimensions



Ød ₁ [mm]	A [mm]	B [mm]	C [mm]	D [mm]	Weight [kg]
80	205	170	230	345	2,68
100	225	210	320	455	3,63
125	250	290	400	555	4,60
140	285	300	410	575	5,19
150	285	300	410	590	5,16
160	285	300	410	605	5,11
180	305	330	460	675	5,88
200	325	370	515	750	6,83
224	325	385	535	790	7,40
250	375	450	620	910	9,34
280	405	483	650	965	10,11
300	440	533	720	1075	12,06
315	440	533	720	1075	11,82
355	480	593	800	1195	14,00
400	484	675	915	1355	16,86