

# Duct gate damper for air ventilation and dust extraction systems

## GKL/GK



### Description

The hand-operated duct gate damper is designed for air ventilation and dust extraction systems which carry particulates of sawdust, EPS debris, or other light air fractions of solids. An advantage is the sliding gate which opens the passage to full clearance, without any obstruction by closure edges or pivot rods. The gate damper is a rigid structure made of 1-mm thick galvanized steel sheet, to which ILS flanges (GK gate damper) or ILSL flanges with gaskets (GKL gate damper) are attached. Gate dampers can be requested with FLS steel flanges or upturns for use with quick clamps.

- GK - plain end flange gate damper
- GKL - gate damper with EPDM gaskets at the flanges, air tightness class D according to EN 12237

#### Available materials — Product code examples

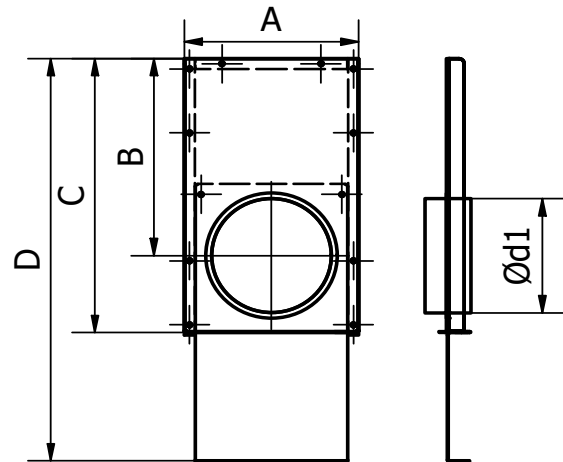
- GKL-... - galvanized steel sheet
- GKL-K-... - 1.4301/304 stainless steel sheet
- GKL-K-...-316L - 1.4404/316L stainless steel sheet
- GKL-A-... - aluminium sheet

#### Product code example

Product code: **GKL** - aaa

type \_\_\_\_\_  
 Ød<sub>1</sub> \_\_\_\_\_

### Dimensions



Ød <sub>1</sub> [mm]	A [mm]	B [mm]	C [mm]	D [mm]	Weight [kg]
80	205	170	230	345	2,14
100	225	210	320	455	3,07
125	250	290	400	555	4,00
140	285	300	410	575	4,58
150	285	300	410	590	4,52
160	285	300	410	605	4,45
180	305	330	460	675	5,19
200	325	370	515	750	6,11
224	325	385	535	790	6,18
250	375	450	620	910	8,01
280	405	483	650	965	8,71
300	440	533	720	1075	10,53
315	440	533	720	1075	10,30
355	480	593	800	1195	12,36
400	484	675	915	1355	15,08