

Double-lip gaskets for ventilation fittings

GASK



Description

GASK gaskets are made from EPDM. EPDM is a very durable material with superior resistance to ozone, UV light, and temperature variations. An EPDM gasket can withstand temperatures from -30°C to +100°C.

All GASK gaskets should be fitted and held tight in the fitting's hemmed rim. GASK gaskets provide fully sealed and durable joints. If installed as recommended, GASK gaskets provide superior air tightness class D (Certificate no. 0103/07 according to PN-EN 12237).

Product code example

Product code: **GASK - aaa**

type _____
 Ød₁ _____

Sealing lip

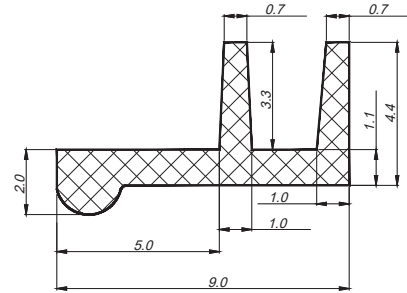


Duct

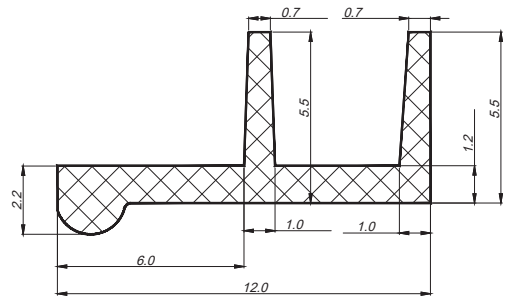


Dimensions

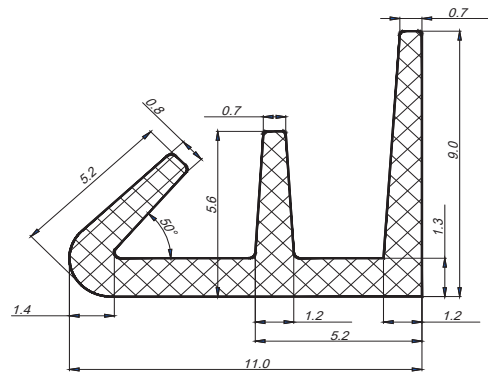
diameter range: 80-125



diameter range: 140-280



diameter range: 300-500



diameter range: 560-1600

