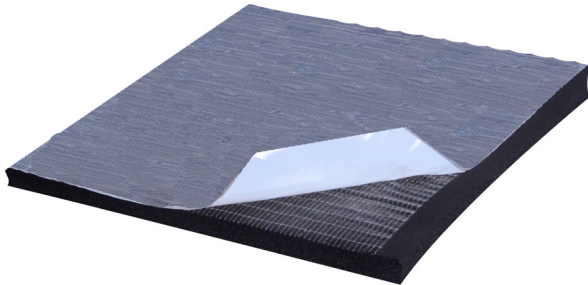


# Self-adhesive insulating rubber mat

## FOAM-G



### Description

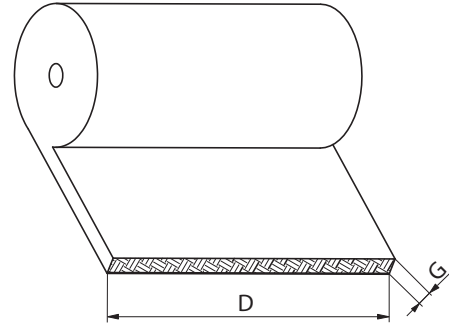
Self-adhesive synthetic rubber mats are suitable for insulating flat and round surfaces as well as square and round ducts. They protect from condensation, provide thermal insulation and deaden noise. The mats are available in different thickness and width sizes. Closed-cell synthetic rubber has low water vapour permeability.

#### Product code example

Product code: **FOAM-G - 19**

type \_\_\_\_\_  
thickness \_\_\_\_\_

### Dimensions



Mat thickness G (mm)	Roll width D (mm)	Quantity m <sup>2</sup> /roll
6	1000	30
9	1000	20
13	1000	14
19	1000	10
25	1000	8
32	1000	6
40	1000	4
50	1000	4

### Technical specifications

Parameter	Standard	Value
Thermal conductivity $\lambda$ W/(m*K)	EN 12667	0.032 (-20°C)
		0.034 (0°C)
		0.036 (+20°C)
		0.038 (+40°C)
		0.040 (+60°C)
Transmission $\mu$	EN 12086	$\mu \geq 7000$
Temperature range	EN 14706	-40°C / +85°C
Fire resistance	EN 13501-1	B-s3, d0