

Elastomeric rubber foam with aluminium coating

FOAM-AB / FOAM-AG



Description

Synthetic rubber foam with aluminum coating is used for insulation of flat and cylindrical surfaces such as rectangular and circular ventilation ducts. The foam rubber serves as a thermal insulation to prevent condensation and acoustic insulation. The additional aluminum coating protects against UV radiation. Different thicknesses and widths of rubber foam are available. Elastomeric closed cell insulation has strong water vapor permeability as well as fire resistance class B-s3, d0.

Foam insulation with PVC + Aluminum coating is available on request.

Available materials:

FOAM-AB- ... - rubber foam + ALU foil

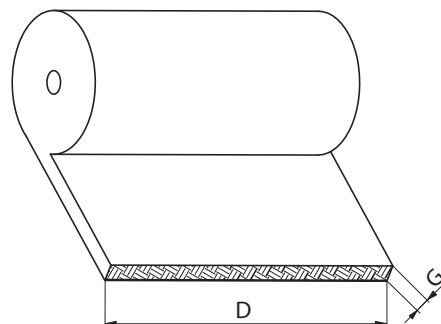
FOAM-AG- ... - rubber foam + glue + ALU foil

Product code example

Product code: **FOAM-AG - 19**

type _____
 thickness _____

Dimensions



Mat thickness G (mm)	Roll width D (mm)	Quantity m ² /roll
6	1000	30
9*	1000	20
13*	1000	14
19*	1000	10
25	1000	8
32	1000	6
40	1000	4
50	1000	4

Technical specifications

Parameter	Standard	Value
Thermal conductivity λ W/(m ² K)	EN 12667	0.032 (-20°C)
		0.034 (0°C)
		0.036 (+20°C)
		0.038 (+40°C)
		0.040 (+60°C)
Transmission μ	EN 12086	$\mu \geq 10000$
Temperature range	EN 14706	-40°C / +85°C
Fire resistance	EN 13501-1	B-s3, d0